



SKN Products, LLC

Industrial products - we wholesale, you distribute

K SERIES HEAT SHRINK INSULATED TERMINALS & BUTT CONNECTORS WITH COPPER SLEEVES & FUNNEL ENTRIES

**HEAT SHRINK INSULATED TERMINALS
WITH COPPER SLEEVES & FUNNEL ENTRIES**

**HEAT SHRINK INSULATED BUTT CONNECTORS
WITH COPPER SLEEVES & FUNNEL ENTRIES**

**PRODUCTS
COMING SOON**



4909 Rondo Drive, Fort Worth, Texas 76106, USA

Telephone: 1-817-403-5835

Fax: 1-817-624-3721

Email: sales@sknproductsllc.com

www.sknproducts.com

www.sknproductsllc.com

CATALOG 2023

SELECTION GUIDE OF SKN K SERIES HEAT SHRINK INSULATED TERMINALS & BUTT CONNECTORS WITH COPPER SLEEVES & FUNNEL ENTRIES

**K Series Heat Shrink
Insulated Terminal
with Copper Sleeves &
Funnel Entries**



**K Series Heat Shrink
Insulated Butt Connectors
with Copper Sleeves &
Funnel Entries**





K SERIES HEAT SHRINK INSULATED TERMINALS & BUTT CONNECTORS
WITH COPPER SLEEVES & FUNNEL ENTRIES

SELECTION GUIDE

SELECTION GUIDE OF K SERIES HEAT SHRINK INSULATED TERMINALS WITH COPPER SLEEVES & FUNNEL ENTRIES

Product Numbers of SKN K Series Heat Shrink Insulated Ring Terminals with Copper Sleeves & Funnel Entries

Insulation Color	Wire Range	Stud Size						
		#6	#8	#10	1/4"	5/16"	3/8"	1/2"
Red	22-18	KDR2A6HS	KDR2A8HS	KDR2A10HS	KDR2A14HS	KDR2A56HS	KDR2A38HS	
Blue	16-14	KDR2B6HS	KDR2B8HS	KDR2B10HS	KDR2B14HS	KDR2B56HS	KDR2B38HS	
Yellow	12-10	KDR2C6HS	KDR2C8HS	KDR2C10HS	KDR2C14HS	KDR2C56HS	KDR2C38HS	KDR2C12HS

Product Numbers of SKN K Series Heat Shrink Insulated Spade Terminals with Copper Sleeves & Funnel Entries

Insulation Color	Wire Range	Stud Size
		#10
Red	22-18	KDS2A10HS
Blue	16-14	KDS2B10HS
Yellow	12-10	KDS2C10HS

SELECTION GUIDE OF K SERIES HEAT SHRINK INSULATED TERMINALS WITH COPPER SLEEVES & FUNNEL ENTRIES

Product Numbers of SKN K Series Heat Shrink Insulated Butt Connectors with Copper Sleeves & Funnel Entries

Product Number	Insulation Color	Wire Range (AWG)	Maximum Temperature
KDB8AHS	Red	22-18	221°F (105°C)
KDB8BHS	Blue	16-14	
KDB8CHS	Yellow	12-10	

**FEATURES OF K SERIES HEAT SHRINK INSULATED
TERMINALS WITH COPPER SLEEVES & FUNNEL ENTRIES**

- UL listed
- Translucent shrinkable tubing insulated
- Ease of wire insertion with copper funnel entry
- Manufactured from one piece high conductivity electrolytic copper
- Electro tin plated for copper parts
- Brazed seam
- Wire range indicated by industry standard color coding
- Shrink ratio 3:1
- Shrinking temperature 482°F (250°C) to 752°F (400°C)
- Maximum temperature 221°F (105°C)
- Maximum voltage 600V



For Copper Wire only

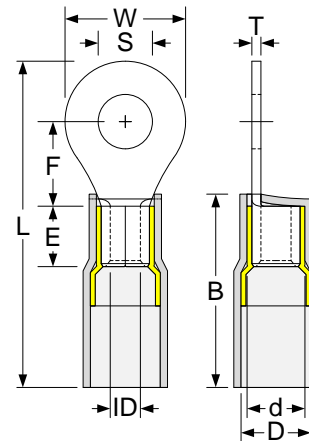
**FEATURES OF K SERIES HEAT SHRINK INSULATED
BUTT CONNECTORS WITH COPPER SLEEVES & FUNNEL ENTRIES**

- UL listed
- Translucent shrinkable tubing insulated
- Ease of wire insertion with copper funnel entry
- Manufactured from electrolytic copper seamless tube
- Electro tin plated for copper parts
- Wire stop for wire positioning built on the middle of the butt connectors
- Wire range indicated by industry standard color coding
- Shrink ratio 3:1
- Shrinking temperature 482°F (250°C) to 752°F (400°C)
- Maximum temperature 221°F (105°C)
- Maximum voltage 600V



For Copper Wire only

SPECIFICATIONS OF K SERIES HEAT SHRINK INSULATED RING TERMINALS WITH COPPER SLEEVES AND FUNNEL ENTRIES



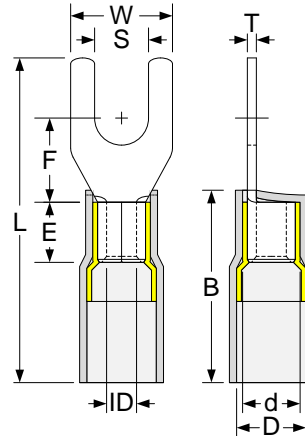
- All K Series heat shrink insulated terminals are UL Listed.
- All copper parts are tin plated.
- Copper sleeves provide funnel entries for ease of wire insertion.
- Shrink ratio is 3:1.
- Shrink temperature is 482°F (250°C) to 752°F (400°C).
- Maximum temperature is 221°F (105°C).
- Maximum voltage is 600V.



Product Number	Heat Shrink Color	Wire Range (AWG)	Stud Size	Stud	Length	Width		Barrel Length	Heat Shrink Barrel	Copper Sleeve	Barrel I.D.	Copper Thickness	Strip Length
				S	L	F	W	B	D	d	ID	T	E
KDR2A6HS	Red	22-18	#6	0.146"	1.134"	0.248"	0.260"	0.835"	0.189"	0.157"	0.067"	0.0295"	0.193"
KDR2A8HS			#8	0.169"	1.189"	0.276"	0.315"						
KDR2A10HS			#10	0.201"	1.189"	0.276"	0.315"						
KDR2A14HS			1/4"	0.252"	1.425"	0.433"	0.457"						
KDR2A56HS			5/16"	0.331"	1.417"	0.433"	0.551"						
KDR2A38HS			3/8"	0.390"	1.524"	0.547"	0.630"						
KDR2B6HS	Blue	16-14	#6	0.146"	1.083"	0.248"	0.260"	0.835"	0.228"	0.177"	0.091"	0.0310"	0.193"
KDR2B8HS			#8	0.169"	1.217"	0.291"	0.335"						
KDR2B10HS			#10	0.209"	1.236"	0.291"	0.374"						
KDR2B14HS			1/4"	0.252"	1.425"	0.433"	0.472"						
KDR2B56HS			5/16"	0.328"	1.425"	0.433"	0.551"						
KDR2B38HS			3/8"	0.390"	1.524"	0.547"	0.630"						
KDR2C6HS	Yellow	12-10	#6	0.146"	1.300"	0.240"	0.283"	0.984"	0.268"	0.209"	0.134"	0.0390"	0.244"
KDR2C8HS			#8	0.169"	1.409"	0.327"	0.374"						
KDR2C10HS			#10	0.213"	1.387"	0.327"	0.378"						
KDR2C14HS			1/4"	0.252"	1.547"	0.413"	0.472"						
KDR2C56HS			5/16"	0.331"	1.724"	0.524"	0.591"						
KDR2C38HS			3/8"	0.390"	1.724"	0.524"	0.591"						
KDR2C12HS	1/2"	0.512"	1.906"	0.630"	0.756"								

* All dimensions in inches

**SPECIFICATIONS OF K SERIES HEAT SHRINK INSULATED
SPADE TERMINALS WITH COPPER SLEEVES AND FUNNEL ENTRIES**



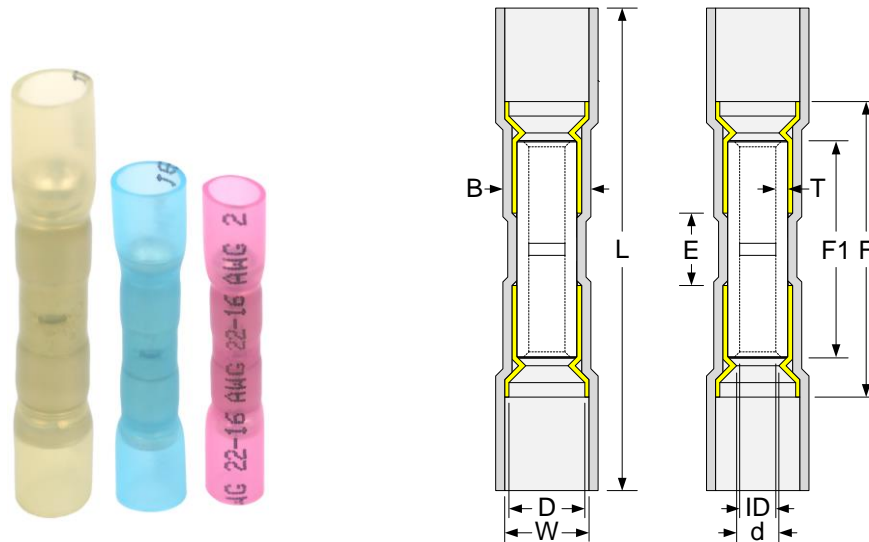
- All K Series heat shrink insulated terminals are UL Listed.
- All copper parts are tin plated.
- Copper sleeves provide funnel entries for ease of wire insertion.
- Shrink ratio is 3:1.
- Shrink temperature is 482°F (250°C) to 752°F (400°C).
- Maximum temperature is 221°F (105°C).
- Maximum voltage is 600V.



Product Number	Heat Shrink Color	Wire Range (AWG)	Stud Size	Stud			Width		Barrel Length	Heat Shrink Barrel	Copper Sleeve	Barrel I.D.	Copper Thickness	Strip Length
				S	L	F	W	B	D	d	ID	T	E	
KDS2A10HS	Red	22-18	#10	0.209"	1.189"	0.256"	0.374"	0.835"	0.189"	0.157"	0.067"	0.0295"	0.193"	
KDS2B10HS	Blue	16-14	#10	0.209"	1.189"	0.256"	0.311"	0.835"	0.228"	0.177"	0.091"	0.0310"	0.193"	
KDS2C10HS	Yellow	12-10	#10	0.209"	1.398"	0.276"	0.354"	0.984"	0.268"	0.209"	0.134"	0.0390"	0.244"	

** All dimensions in inches*

**SPECIFICATIONS OF K SERIES HEAT SHRINK INSULATED
BUTT CONNECTORS WITH COPPER SLEEVES AND FUNNEL ENTRIES**



- All K Series heat shrink insulated butt connectors are UL Listed.
- All copper parts are tin plated.
- Copper sleeves provide funnel entries for ease of wire insertion.
- Shrink ratio is 3:1.
- Shrink temperature is 482°F (250°C) to 752°F (400°C).
- Maximum temperature is 221°F (105°C).
- Maximum voltage is 600V.



Product Number	Heat Shrink Color	Wire Range (AWG)	W	B	L	D	ID	d	E	F	F1	Strip Length
KDB8AHS	Red	22-18	0.197"	0.213"	1.445"	0.150"	0.087"	0.067"	0.134"	0.827"	0.591"	0.335"
KDB8BHS	Blue	16-14	0.236"	0.244"	1.472"	0.169"	0.098"	0.094"	0.185"	0.882"	0.650"	0.354"
KDB8CHS	Yellow	12-10	0.276"	0.307"	1.843"	0.236"	0.138"	0.134"	0.311"	1.165"	0.827"	0.472"

** All dimensions in inches*

K SERIES HEAT SHRINK INSULATED TERMINALS & BUTT CONNECTORS WITH COPPER SLEEVES & FUNNEL ENTRIES

RECOMMENDED TOOLS

RECOMMENDED TOOLS FOR K SERIES HEAT SHRINK INSULATED TERMINALS & BUTT CONNECTORS WITH COPPER SLEEVES & FUNNEL ENTRIES



Heat Shrink Terminals Ratcheted Crimper
Product Number: RCHS03C8



Round Cable Cutter
Product Number: 200-046



Wire Stripping Tool
Product Number: 200-003



Steinel Heat Gun
Product Number: SV-803

RECOMMENDED TOOLS FOR K SERIES HEAT SHRINK INSULATED TERMINALS AND BUTT CONNECTORS WITH COPPER SLEEVES & FUNNEL ENTRIES

	Crimp Tool	Wire Cutter	Wire Stripper	Heat Gun
ALL K SERIES HEAT SHRINK INSULATED TERMINALS & BUTT CONNECTORS WITH COPPER SLEEVES & FUNNEL ENTRIES	RCHS03C8	200-046	200-003	SV-803



IMPORTANT NOTES FOR PURCHASERS AND USERS

IMPORTANT NOTES FOR PURCHASERS AND USERS

Before using this product, user should determine the suitability of the product for its intended use.

SKN expressly disclaims the implied warranties and conditions of merchantability and fitness for a particular purpose. In no case shall SKN be liable under any legal theory, including but not limited to contract or strict liability, for any direct, indirect, special, incidental, or consequential damages resulting from product use.

Made in China



WARRANTY; LIMITED REMEDY; LIMITED LIABILITY

WARRANTY; LIMITED REMEDY; LIMITED LIABILITY

This product will be free from defects in material and manufacture as the date of purchase. SKN makes no other warranties including, but not limited to, any implied warranty of merchantability or fitness for a particular purpose. If this product is defective within the warranty period stated above, your exclusive remedy shall be, at SKN's option, to replace or repair or refund the purchase price of SKN product. Except where prohibited by Law, SKN will not be liable for any loss or damage arising from SKN product, whether direct, indirect, special, incidental or consequential regardless of the legal theory asserted.