



Industrial products – we wholesale, you distribute

STEP DOWN BUTT CONNECTORS

NON-INSULATED STEP DOWN BUTT CONNECTORS

VINYL INSULATED STEP DOWN BUTT CONNECTORS

**HEAT SHRINK INSULATED STEP DOWN BUTT
CONNECTORS**

4909 Rondo Drive, Fort Worth, Texas 76106, USA

Telephone: 1-817-403-5835

Fax: 1-817-624-3721

Email: sales@sknproductsllc.com

www.sknproducts.com

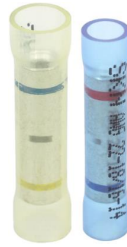
www.sknproductsllc.com

CATALOG 2023

SELECTION GUIDE OF SKN STEP DOWN BUTT CONNECTORS



**Non-insulated
Step Down Butt Connectors**



**Vinyl Insulated
Step Down Butt Connectors**



**Heat Shrink Insulated
Step Down Butt Connectors**

SELECTION GUIDE OF STEP DOWN BUTT CONNECTORS

Product Numbers of SKN Non-insulated Step Down Butt Connectors (Seamless Tube, Tin Plated)

Product Number	Wire Range (AWG)	Maximum Temperature
B7AB	16-14 / 22-18	221°F (105°C)
B7BC	12-10 / 16-14	

Product Numbers of SKN Vinyl Insulated Step Down Butt Connectors

Product Number	Insulation Color	Wire Range (AWG)	Maximum Temperature
B4AB	Red	16-14 / 22-18	221°F (105°C)
B4BC	Blue	12-10 / 16-14	

Product Numbers of SKN Heat Shrink Insulated Step Down Butt Connectors

Product Number	Insulation Color	Wire Range (AWG)	Maximum Temperature
B8ABHS	Red	16-14 / 22-18	221°F (105°C)
B8BCHS	Blue	12-10 / 16-14	

FEATURES OF NON-INSULATED STEP DOWN BUTT CONNECTORS

- Designed for secure and reliable connection of 2 wires with different sizes
- Electro tin plated
- Manufactured from electrolytic copper seamless tube
- Ease of wire insertion with chamfered barrel
- Wire stop for wire positioning built on the middle of the butt connectors
- Wire range indicated by industry standard color coding
- Maximum temperature 221°F (105°C)
- Maximum voltage 600V

For Copper Wire only

FEATURES OF VINYL INSULATED STEP DOWN BUTT CONNECTORS

- Designed for secure and reliable connection of 2 wires with different sizes
- Polyvinyl insulated
- Manufactured from electrolytic copper seamless tube
- Electro tin plated for copper parts
- Ease of wire insertion with beveled mouth entry and flared barrel mouth
- Wire stop for wire positioning built on the middle of the butt connectors
- Wire range indicated by industry standard color coding
- Maximum temperature 221°F (105°C)
- Maximum voltage 600V

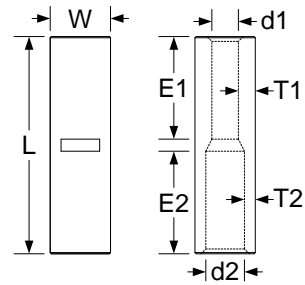
For Copper Wire only

FEATURES OF HEAT SHRINK INSULATED STEP DOWN BUTT CONNECTORS

- Designed for secure and reliable connection of 2 wires with different wire gauge
- Translucent dual wall polyolefin shrinkable tubing with meltable liner insulated
- Manufactured from electrolytic copper seamless tube
- Electro tin plated for copper parts
- Ease of wire insertion with chamfered barrel
- Wire stop for wire positioning built on the middle of the butt connectors
- Wire range indicated by industry standard color coding
- Shrink ratio 3:1
- Maximum temperature 221°F (105°C)
- Shrinking temperature 482°F (250°C) to 752°F (400°C)
- Maximum voltage 600V

For Copper Wire only

SPECIFICATIONS OF NON-INSULATED STEP DOWN BUTT CONNECTORS



- All Non-insulated Butt Connectors are seamless.
- Wire stop for wire positioning is built on the middle of each butt connector.
- Maximum temperature is 221°F (105°C).
- Maximum voltage is 600V.

Product Number	Wire Range (AWG)		Max. Temp	Width	Length	Barrel I.D.		Copper Thickness		Strip Length	
	d1	d2		W	L	d1	d2	T1	T2	E1	E2
B7AB	22-18	16-14	221°F (105°C)	0.157"	0.728"	0.067"	0.098"	0.043"	0.030"	0.354"	0.354"
B7BC	16-14	12-10		0.217"	0.827"	0.098"	0.138"	0.059"	0.039"	0.394"	0.394"

* All dimensions in inches

NON-INSULATED STEP DOWN BUTT CONNECTORS

RECOMMENDED TOOLS

**RECOMMENDED TOOLS FOR
NON-INSULATED STEP DOWN BUTT CONNECTORS**



**Non-insulated
Terminal Crimper**
Product Number: 300-055



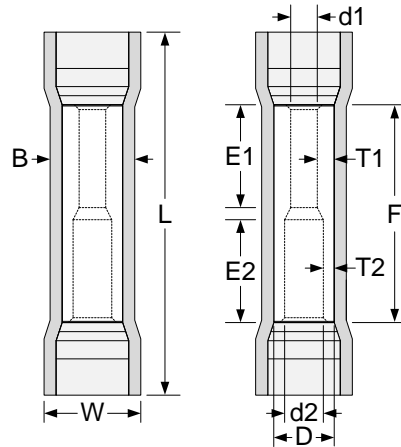
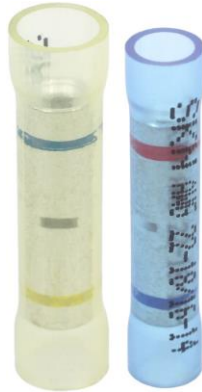
Round Cable Cutter
Product Number: 200-046



Wire Stripping Tool
Product Number: 200-003

RECOMMENDED TOOLS FOR NON-INSULATED STEP DOWN BUTT CONNECTORS			
ALL NON-INSULATED STEP DOWN BUTT CONNECTORS	Crimp Tool	Wire Cutter	Wire Stripper
		300-055	200-046

SPECIFICATIONS OF VINYL INSULATED STEP DOWN BUTT CONNECTORS



- Copper parts inserted in all Vinyl Insulated Butt Connectors are tin plated.
- Wire stop for wire positioning is built on the middle of each butt connector.
- Maximum temperature is 221°F (105°C).
- Maximum voltage is 300V.

Product Number	Color	Wire Range (AWG)		Max. Temp	Width		Length		Tube Dia.	Barrel I.D.		Copper Thickness		Strip Length	
		d1	d2		W	B	L	F		D	d1	d2	T1	T2	E1
B4AB	Blue	22-18	16-14	221°F (105°C)	0.197"	0.224"	1.181"	0.728"	0.157"	0.067"	0.098"	0.043"	0.030"	0.354"	0.354"
B4BC	Yellow	16-14	12-10		0.256"	0.276"	1.260"	0.827"	0.217"	0.098"	0.138"	0.059"	0.039"	0.394"	0.394"

* All dimensions in inches

VINYL INSULATED STEP DOWN BUTT CONNECTORS

RECOMMENDED TOOLS

**RECOMMENDED TOOLS FOR
VINYL INSULATED STEP DOWN BUTT CONNECTOR**



Eclipse Luner Series Ratcheted Crimper
Product Number: 300-141



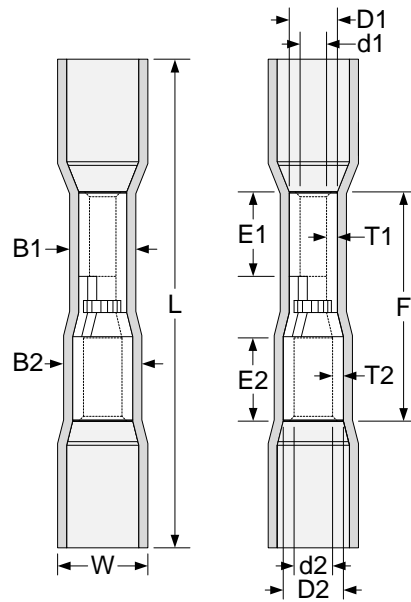
Eclipse Round Cable Cutter
Product Number: 200-046



Eclipse Wire Stripping Tool
Product Number: 200-003

RECOMMENDED TOOLS FOR VINYL INSULATED STEP DOWN BUTT CONNECTORS			
	Crimp Tool	Wire Cutter	Wire Stripper
ALL VINYL INSULATED STEP DOWN BUTT CONNECTORS	300-141	200-046	200-003

SPECIFICATIONS OF HEAT SHRINK INSULATED STEP DOWN BUTT CONNECTORS



- All copper parts inserted in all Heat Shrink Insulated Butt Connectors are tin plated.
- Wire stop for wire positioning is built on the middle of each butt connector.
- Shrink ratio is 3:1.
- Shrink temperature is 482°F (250°C) to 752°F (400°C).
- Maximum temperature is 221°F (105°C).
- Maximum voltage is 600V.

Product Number	Color	Wire Range (AWG)	Max. Temp	Width			Length		Tube Diameter		Barrel I.D.		Copper Thickness		Strip Length
		d1/d2		W	B1	B2	L	F	D1	D2	d1	d2	T1	T2	E1 & E2
B8ABHS	Blue	22-18 16-14	221°F (105°C)	0.228"	0.209"	0.224"	1.535"	0.748"	0.134"	0.157"	0.067"	0.098"	0.035"	0.030"	0.295"
B8BCHS	Yellow	16-14 12-10		0.268"	0.252"	0.280"	1.831"	0.827"	0.177"	0.217"	0.091"	0.142"	0.039"	0.037"	0.307"

* All dimensions in inches

**RECOMMENDED TOOLS FOR
HEAT SHRINK INSULATED STEP DOWN BUTT CONNECTORS**



Heat Shrink Terminals Ratcheted Crimper
Product Number: RCHS03C8



Round Cable Cutter
Product Number: 200-046



Wire Stripping Tool
Product Number: 200-003



Steinel Heat Gun
Product Number: SV-803

RECOMMENDED TOOLS FOR HEAT SHRINK INSULATED STEP DOWN BUTT CONNECTORS				
ALL HEAT SHRINK INSULATED STEP DOWN BUTT CONNECTORS	Crimp Tool	Wire Cutter	Wire Stripper	Heat Gun
	RCHS03C8	200-046	200-003	SV-803



IMPORTANT NOTES FOR PURCHASERS AND USERS

IMPORTANT NOTES FOR PURCHASERS AND USERS

Before using this product, user should determine the suitability of the product for its intended use.

SKN expressly disclaims the implied warranties and conditions of merchantability and fitness for a particular purpose. In no case shall SKN be liable under any legal theory, including but not limited to contract or strict liability, for any direct, indirect, special, incidental, or consequential damages resulting from product use.

Made in China



WARRANTY; LIMITED REMEDY; LIMITED LIABILITY

WARRANTY; LIMITED REMEDY; LIMITED LIABILITY

This product will be free from defects in material and manufacture as the date of purchase. SKN makes no other warranties including, but not limited to, any implied warranty of merchantability or fitness for a particular purpose. If this product is defective within the warranty period stated above, your exclusive remedy shall be, at SKN's option, to replace or repair or refund the purchase price of SKN product. Except where prohibited by Law, SKN will not be liable for any loss or damage arising from SKN product, whether direct, indirect, special, incidental or consequential regardless of the legal theory asserted.