



Industrial products - we wholesale, you distribute

PUSH ON, QUICK DISCONNECT & BULLET TERMINALS

(FILE NAME : SPLICE CONNECTORS)

NON-INSULATED PUSH ON TERMINALS

VINYL INSULATED PUSH ON TERMINALS

NYLON FULLY INSULATED QUICK DISCONNECT TERMINALS

**NYLON FULLY INSULATED QUICK DISCONNECT TERMINALS
WITH HEAT SHRINK**

NON-INSULATED BULLET TERMINALS

VINYL INSULATED BULLET TERMINALS

4909 Rondo Drive, Fort Worth, Texas 76106, USA

Telephone: 1-817-403-5835

Fax: 1-817-624-3721

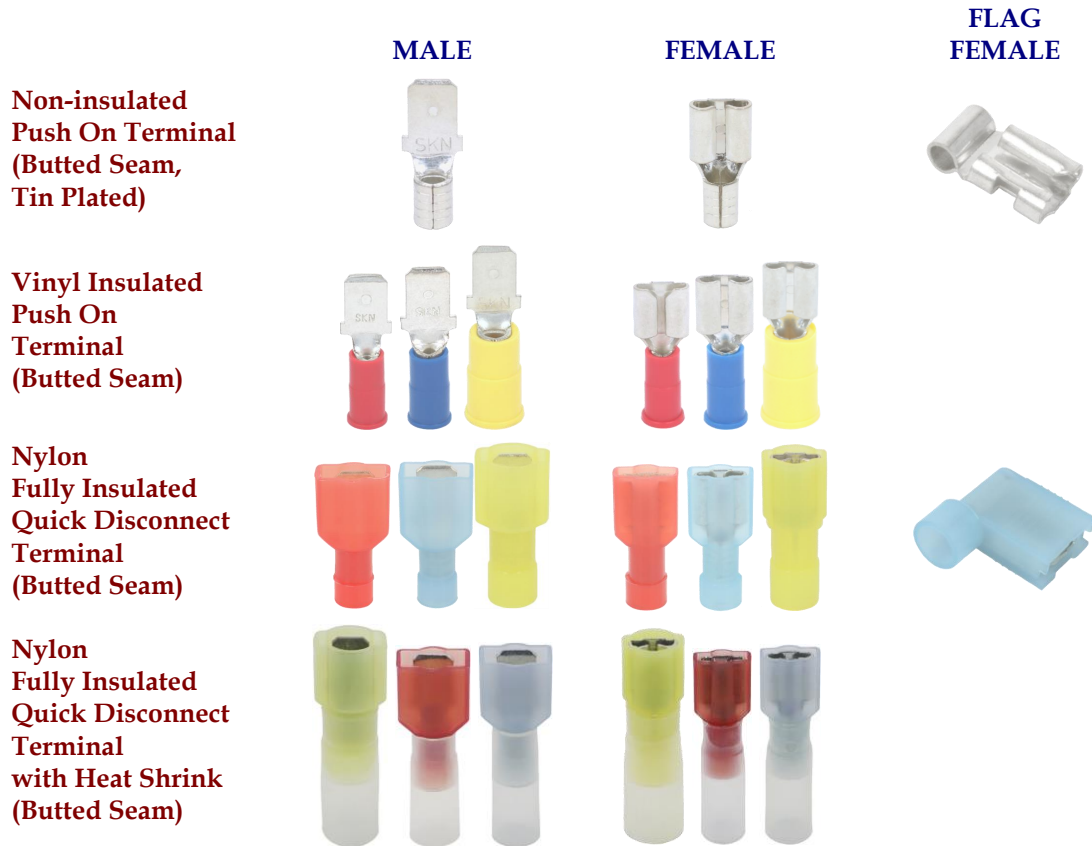
Email: sales@sknproductsllc.com

www.sknproducts.com

www.sknproductsllc.com

CATALOG 2023

SELECTION GUIDE OF SKN PUSH ON AND QUICK DISCONNECT TERMINALS



SELECTION GUIDE OF SKN BULLET TERMINALS



SELECTION GUIDE OF PUSH ON & QUICK DISCONNECT TERMINALS

Product Numbers of SKN Non-insulated Push On Terminals (Tin Plated)

Wire Range (AWG)	Width (Inches)	Male (Butted Seam)	Female (Butted Seam)	Female Flag (Butted Seam)
22-18	0.187"	MT1A187	FR1A187	
16-14	0.187"	MT1B187	FR1B187	FLFR1B187
22-18	0.250"	MT1A250	FR1A250	
16-14	0.250"	MT1B250	FR1B250	FLFR1B250
12-10	0.250"	MT1C250	FR1C250	FLFR1C250

Product Numbers of SKN Vinyl Insulated Push On Terminals

Insulation Color	Wire Range (AWG)	Width (Inches)	Male (Butted Seam)	Female (Butted Seam)
Red	22-18	0.187"	MT4A187	FR4A187
Blue	16-14	0.187"	MT4B187	FR4B187
Red	22-18	0.250"	MT4A250	FR4A250
Blue	16-14	0.250"	MT4B250	FR4B250
Yellow	12-10	0.250"	MT4C250	FR4C250

Product Numbers of SKN Nylon Fully Insulated Quick Disconnect Terminals

Insulation Color	Wire Range (AWG)	Width (Inches)	Male (Butted Seam)	Female (Butted Seam)	Female Flag (Butted Seam)
Red	22-18	0.187"		FR8A187F	
Blue	16-14	0.187"	MT8B187F	FR8B187F	
Red	22-18	0.250"	MT8A250F	FR8A250F	
Blue	16-14	0.250"	MT8B250F	FR8B250F	FLFR8B250F
Yellow	12-10	0.250"	MT8C250F	FR8C250F	

Product Numbers of SKN Nylon Fully Insulated Quick Disconnect Terminals with Heat Shrink

Insulation Color	Wire Range (AWG)	Width (Inches)	Male (Butted Seam)	Female (Butted Seam)
Red	22-18	0.250"	MT8A250FHS	FR8A250FHS
Blue	16-14	0.250"	MT8B250FHS	FR8B250FHS
Yellow	12-10	0.250"	MT8C250FHS	FR8C250FHS

SELECTION GUIDE OF BULLET TERMINALS

Product Numbers of SKN Bullet Terminals

Insulation	Color	Wire Range (AWG)	Male (Butted Seam)	Female (Butted Seam)	Mating with
Non-insulated	Tin Plated	16-14	SC1B		FSC156FV
Vinyl Insulated	Blue		SC4B		
Non-insulated	Tin Plated		LC1B		*FSC176FV
Vinyl Insulated	Blue		LC4B		
					FSC156FV
			*FSC176FV	LC1B LC4B	

**FSC176FV is not in stock*

FEATURES OF NON-INSULATED PUSH ON TERMINALS

- Electro tin plated
- Butted seam
- Manufactured from one piece high conductivity brass
- Ease of wire insertion with beveled mouth entry
- Maximum temperature 221°F (105°C)
- Maximum voltage 600V

For Copper Wire only

FEATURES OF VINYL INSULATED PUSH ON TERMINALS

- Polyvinyl insulated
- Manufactured from one piece high conductivity brass for brass parts
- Electro tin plated for brass parts
- Butted seam
- Ease of wire insertion with beveled mouth entry and funnel barrel construction
- Wire range indicated by industry standard color coding
- Maximum temperature 167°F (75°C)
- Maximum voltage 300V

For Copper Wire only

FEATURES OF NYLON FULLY INSULATED QUICK DISCONNECT TERMINALS

- Nylon fully insulated for entire terminals
- Manufactured from one piece high conductivity brass for brass parts
- Electro tin plated for brass parts
- Butted seam
- Ease of wire insertion with beveled mouth entry and funnel barrel construction
- Wire range indicated by industry standard color coding
- Maximum temperature 221°F (105°C)
- Maximum voltage 600V

For Copper Wire only

FEATURES OF NYLON FULLY INSULATED QUICK DISCONNECT TERMINALS WITH HEAT SHRINK

- Nylon fully insulated for entire terminals
- Polyolefin shrinkable tubing installed on barrels of the terminals
- Manufactured from one piece high conductivity brass for brass parts
- Electro tin plated for brass parts
- Butted seam
- Ease of wire insertion with beveled mouth entry and funnel barrel construction
- Wire range indicated by industry standard color coding
- Maximum temperature 221°F (105°C)
- Maximum voltage 600V

For Copper Wire only

FEATURES OF NON-INSULATED BULLET TERMINALS

- Electro tin plated
- Manufactured from one piece electrolytic copper
- Butted seam
- Ease of wire insertion with beveled mouth entry
- Maximum temperature 221°F (105°C)
- Maximum voltage 600V

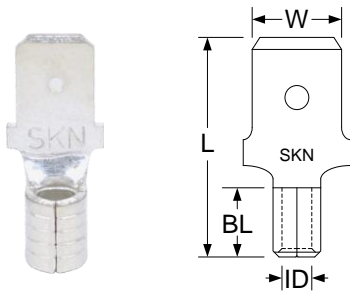
For Copper Wire only

FEATURES OF VINYL INSULATED BULLET TERMINALS

- Polyvinyl insulated
- Manufactured from one piece high electrolytic copper for copper parts
- Electro tin plated for copper parts
- Butted seam
- Ease of wire insertion with beveled mouth entry and funnel barrel construction
- Wire range indicated by industry standard color coding
- Maximum temperature 167°F (75°C)
- Maximum voltage 300V

For Copper Wire only

**SPECIFICATIONS OF NON-INSULATED MALE PUSH ON TERMINALS
(BUTTED SEAM, TIN PLATED)**

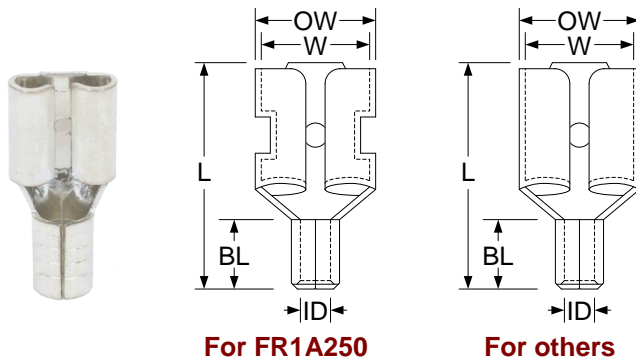


- All non-insulated terminals are tin plated.
- All non-insulated terminals are with butted seam.
- Maximum temperature is 221°F (105°C).
- Maximum voltage is 600V.

Product Number (Male)	Wire Range (AWG)	Length	Barrel Length	Barrel I.D.	Width	Brass Thickness	Strip Length	Mates with Female Terminal
		L	BL	ID	W	T		
MT1A187	22-18	0.643"	0.245"	0.068"	0.187"	0.020"	0.240"	FR1A187
MT1B187	16-14	0.648"		0.091"				FR1B187
MT1A250	22-18	0.733"	0.260"	0.068"	0.250"	0.033"	0.250"	FR1A250
MT1B250	16-14	0.740"		0.091"				FR1B250
MT1C250	12-10			0.133"				FR1C250

** All dimensions in inches*

**SPECIFICATIONS OF NON-INSULATED FEMALE PUSH ON TERMINALS
(BUTTED SEAM, TIN PLATED)**



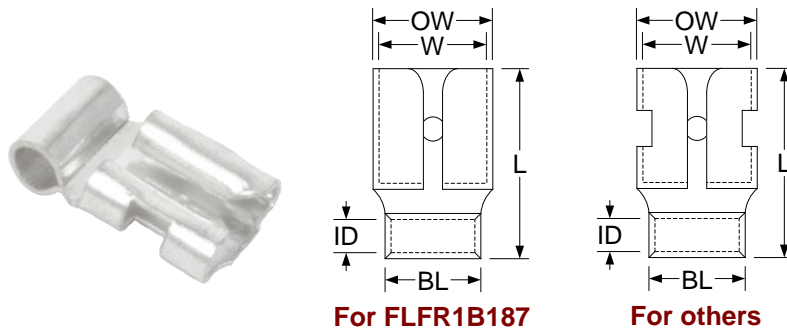
- All non-insulated terminals are tin plated.
- All non-insulated terminals are with butted seam.
- Maximum temperature is 221°F (105°C).
- Maximum voltage is 600V.

Product Number (Female)	Wire Range (AWG)	Length		Barrel I.D.	Width		Strip Length	Mates with Male Terminal
		L	BL		W	T		
FR1A187	22-18	0.594"	0.255"	0.070"	0.187"	0.018"	0.250"	MT1A187
FR1B187	16-14			0.094"				MT1B187
FR1A250	22-18	0.666"	0.254"	0.070"	0.250"	0.022"		MT1A250
FR1B250	16-14			0.091"				MT1B250
FR1C250	12-10			0.133"				MT1C250

* All dimensions in inches

* $OW = W + 2T$

**SPECIFICATIONS OF NON-INSULATED FEMALE FLAG
PUSH ON TERMINALS (BUTTED SEAM, TIN PLATED)**

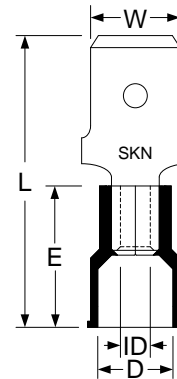


- All non-insulated terminals are tin plated.
- All non-insulated terminals are with butted seam.
- Maximum temperature is 221°F (105°C).
- Maximum voltage is 600V.

Product Number (Female)	Wire Range (AWG)	Length	Barrel Length	Barrel I.D.	Width	Brass Thickness	Strip Length	Mates with Male Terminal
		L	BL	ID	W	T		
FLFR1B187	16-14	0.510"	0.194"	0.097"	0.187"	0.015"	0.190"	MT1B187
FLFR1B250		0.513"	0.257"	0.100"	0.250"		0.250"	MT1B250
FLFR1C250	12-10	0.552"		0.142"			0.250"	0.250"

- * All dimensions in inches
- * $OW = W + 2T$

SPECIFICATIONS OF VINYL INSULATED MALE PUSH ON TERMINALS (BUTTED SEAM)

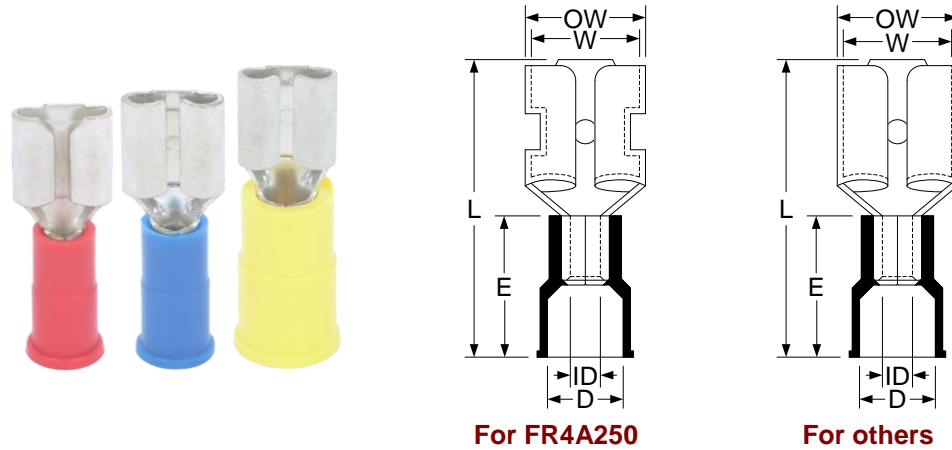


- All brass parts are tin plated.
- All vinyl insulated terminals are with butted seam.
- Maximum temperature is 167°F (75°C).
- Maximum voltage is 300V.

Product Number (Male)	Vinyl Color	Wire Range (AWG)	Length		Barrel I.D.	Vinyl Barrel		Width	Brass Thickness	Strip Length	Mates with Female Terminal
			L	E		ID	D				
MT4A187	Red	22-18	0.840"	0.450"	0.068"	0.145"	0.187"	0.020"	0.240"	FR4A187	
MT4B187	Blue	16-14	0.845"		0.091"	0.150"				FR4B187	
MT4A250	Red	22-18	0.910"	0.450"	0.068"	0.145"	0.250"	0.033"	0.250"	FR4A250	
MT4B250	Blue	16-14	0.960"		0.091"	0.150"				FR4B250	
MT4C250	Yellow	12-10	1.050"	0.546"	0.133"	0.241"				FR4C250	

* All dimensions in inches

SPECIFICATIONS OF VINYL INSULATED FEMALE PUSH ON TERMINALS (BUTTED SEAM)



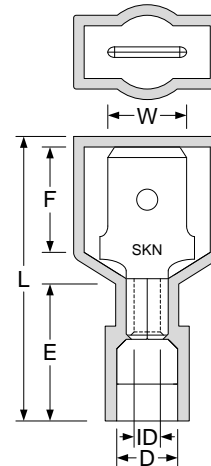
- All brass parts are tin plated.
- All vinyl insulated terminals are with butted seam.
- Maximum temperature is 167°F (75°C).
- Maximum voltage is 300V.

Product Number (Female)	Vinyl Color	Wire Range (AWG)	Length	Barrel Length	Barrel I.D.	Vinyl Barrel	Width	Brass Thickness	Strip Length	Mates with Male Terminal
			L	E	ID	D	W	T		
FR4A187	Red	22-18	0.780"	0.450"	0.070"	0.145"	0.187"	0.018"	0.250"	MT4A187
FR4B187	Blue	16-14	0.800"		0.094"	0.150"				MT4B187
FR4A250	Red	22-18	0.850"		0.070"	0.145"	0.250"	0.022"		MT4A250
FR4B250	Blue	16-14	0.858"		0.091"	0.150"				MT4B250
FR4C250	Yellow	12-10	0.942"	0.546"	0.133"	0.241"		MT4C250		

* All dimensions in inches

* $OW = W + 2T$

SPECIFICATIONS OF NYLON FULLY INSULATED MALE QUICK DISCONNECT TERMINALS (BUTTED SEAM)

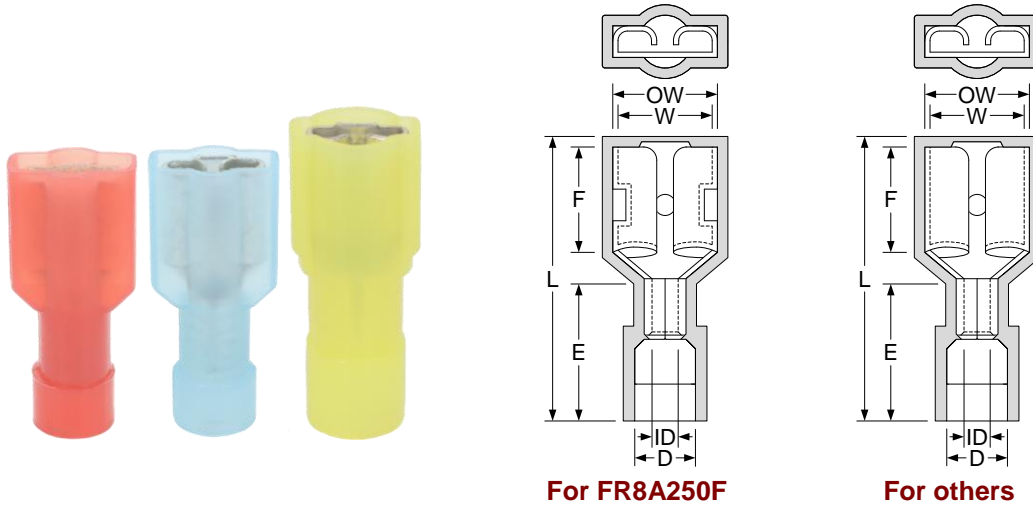


- All brass parts are tin plated.
- All nylon insulated terminals are with butted seam.
- Maximum temperature is 221°F (105°C).
- Maximum voltage is 600V.

Product Number (Male)	Nylon Color	Wire Range (AWG)	Length		Barrel I.D.		Nylon Barrel	Width	Brass Thickness	Strip Length	Mates with Female Terminal
			L	E	ID	D					
MT8B187F	Blue	16-14	0.870"	0.380"	0.091"	0.147"	0.187"	0.020"	0.260"	FR8B187F	
MT8A250F	Red	22-18	0.900"		0.068"	0.170"				FR8A250F	
MT8B250F	Blue	16-14	0.930"		0.091"	0.175"				FR8B250F	
MT8C250F	Yellow	12-10	1.050"	0.520"	0.133"	0.260"	FR8C250F				

* All dimensions in inches

SPECIFICATIONS OF NYLON FULLY INSULATED FEMALE QUICK DISCONNECT TERMINALS (BUTTED SEAM)



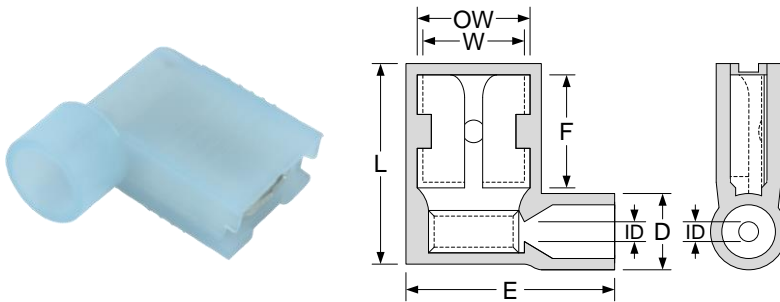
- All brass parts are tin plated.
- All nylon insulated terminals are with butted seam.
- Maximum temperature is 221°F (105°C).
- Maximum voltage is 600V.

Product Number (Female)	Nylon Color	Wire Range (AWG)	Length		Barrel I.D.	Nylon Barrel	Width W	Brass Thickness T	Strip Length	Mates with Male Terminal
			L	E	ID	D				
FR8A187F	Red	22-18	0.790"	0.420"	0.070"	0.147"	0.187"	0.018"	0.260"	
FR8B187F	Blue	16-14	0.810"		0.094"					MT8B187F
FR8A250F	Red	22-18	0.875"	0.440"	0.070"	0.170"	0.250"	0.022"	0.260"	MT8A250F
FR8B250F	Blue	16-14	0.875"		0.091"					0.175"
FR8C250F	Yellow	12-10	0.991"	0.480"	0.133"	0.260"	0.025"	0.260"	MT8C250F	

* All dimensions in inches

* $OW = W + 2T$

SPECIFICATIONS OF NYLON FULLY INSULATED FEMALE FLAG QUICK DISCONNECT TERMINALS (BUTTED SEAM)



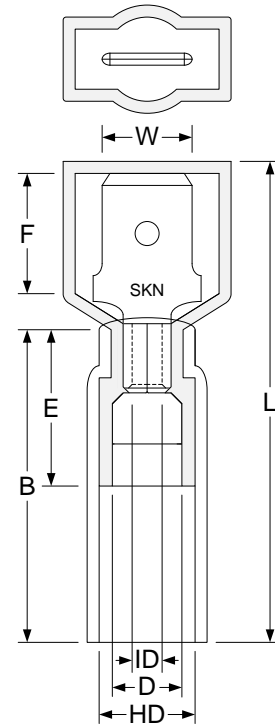
- All brass parts are tin plated.
- All nylon insulated terminals are with butted seam.
- Maximum temperature is 221°F (105°C).
- Maximum voltage is 600V.

Product Number (Female)	Nylon Color	Wire Range (AWG)	Length	Barrel Length	Barrel I.D.	Nylon Barrel	Width	Brass Thickness	Strip Length	Mates with Male Terminal
			L	E	ID	D	W	T		
FLFR8B250F	Blue	16-14	0.585"	0.595"	0.100"	0.209"	0.368"	0.015"	0.250"	MT8B250F

* All dimensions in inches

* $OW = W + 2T$

**SPECIFICATIONS OF NYLON FULLY INSULATED
MALE QUICK DISCONNECT TERMINALS
WITH HEAT SHRINK (BUTTED SEAM)**



- All brass parts are tin plated.
- Heat shrink are installed on the barrels.
- All nylon insulated terminals are with butted seam.
- Maximum temperature is 221°F (105°C).
- Maximum voltage is 600V.

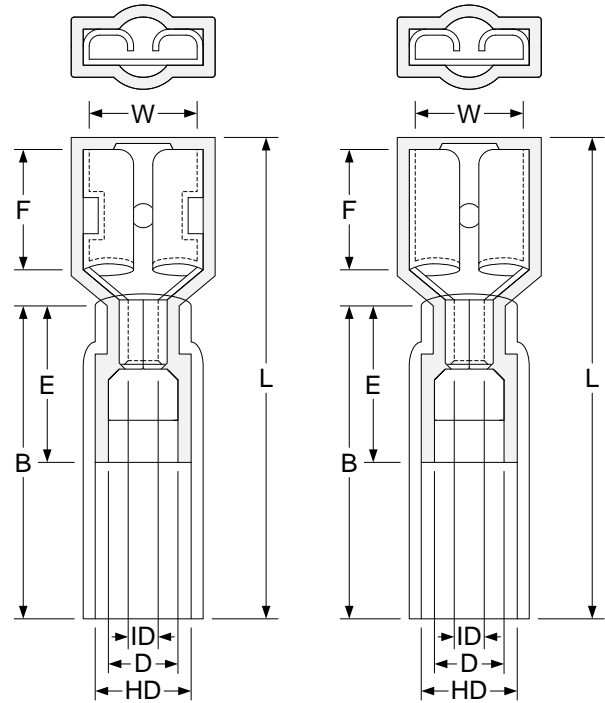
Product Number (Male)	Nylon Color	Wire Range (AWG)	Length	Barrel Length	Heat Shrink Length	Barrel I.D.	Nylon Barren	Heat Shrink Barrel	Width	Brass Thickness	Strip Length
			L	E	B	ID	D	HD	W	T	
MT8A250FHS	Red	22-18	1.360"	0.380"	0.840"	0.068"	0.170"	0.250"	0.250"	0.033"	0.260"
MT8B250FHS	Blue	16-14	1.380"		0.830"	0.091"	0.175"				
MT8C250FHS	Yellow	12-10	1.499"	0.520"	0.969"	0.133"	0.260"				

* All dimensions in inches

**SPECIFICATIONS OF NYLON FULLY INSULATED
FEMALE QUICK DISCONNECT TERMINALS
WITH HEAT SHRINK (BUTTED SEAM)**



- All brass parts are tin plated.
- Heat shrink are installed on the barrels.
- All nylon insulated terminals are with butted seam.
- Maximum temperature is 221°F (105°C).
- Maximum voltage is 600V.



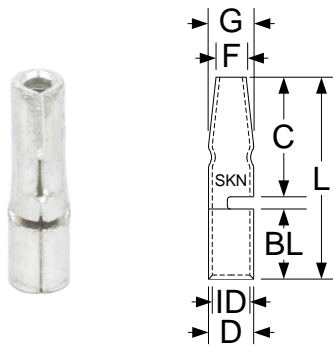
For FR8A250FHS

For others

Product Number (Female)	Nylon Color	Wire Range (AWG)	Length	Barrel Length	Heat Shrink Length	Barrel I.D.	Nylon Barren	Heat Shrink Barrel	Width	Brass Thickness	Strip Length
			L	E	B	ID	D	HD			
FR8A250FHS	Red	22-18	1.328"	0.440"	0.893"	0.068"	0.170"	0.250"	0.250"	0.022"	0.260"
FR8B250FHS	Blue	16-14	1.336"		0.901"	0.091"	0.175"				
FR8C250FHS	Yellow	12-10	1.368"	0.480"	0.857"	0.133"	0.260"	0.313"			

* All dimensions in inches

**SPECIFICATIONS OF NON-INSULATED MALE BULLET TERMINALS
(BUTTED SEAM, TIN PLATED)**

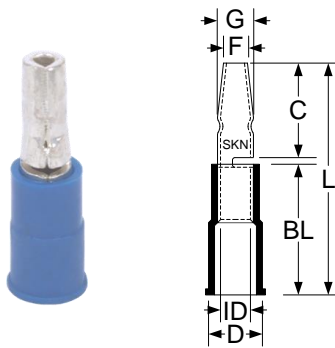


- All non-insulated terminals are tin plated.
- All non-insulated terminals are with butted seam.
- Maximum temperature is 221°F (105°C).
- Maximum voltage is 600V.

Product Number (Male)	Wire Range (AWG)	Length	Barrel Length	Bullet Length	Barrel OD	Barrel ID	Mating Area	Bullet Width	Copper Thickness	Strip Length	Mates with Female Terminal
		L	BL	C	D	ID	ØF	ØG	T		
SC1B	16-14	0.596"	0.195"	0.372"	0.159"	0.091"	0.137"	0.155"	0.034"	0.195"	FSC156FV
LC1B		0.685"	0.245"	0.397"	0.155"		0.168"	0.175"	0.032"	0.240"	*FSC176FV

* All dimensions in inches
 * FSC176FV not in stock

SPECIFICATIONS OF VINYL INSULATED MALE BULLET TERMINALS (BUTTED SEAM)



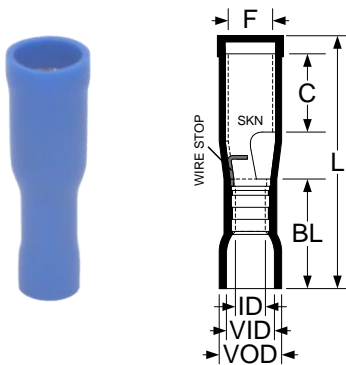
- All copper parts are tin plated.
- All vinyl insulated terminals are with butted seam.
- Maximum temperature is 167°F (75°C).
- Maximum voltage is 300V.

Product Number (Male)	Vinyl Color	Wire Range (AWG)	Length	Barrel Length	Bullet Length	Barrel ID	Vinyl Barrel	Mating Area	Bullet Width	Copper Thickness	Strip Length	Mates with Female Terminal
			L	BL	C	ID	D	ØF	ØG	T		
SC4B	Blue	16-14	0.858"	0.456"	0.372"	0.091"	0.235"	0.137"	0.155"	0.034"	0.195"	FSC156FV
LC4B			0.859"		0.397"			0.168"	0.175"	0.032"	0.240"	*FSC176FV

* All dimensions in inches

* FSC176FV not in stock

**SPECIFICATIONS OF VINYL INSULATED FEMALE BULLET TERMINALS
(BUTTED SEAM)**



- All brass parts are tin plated.
- All vinyl insulated terminals are with butted seam.
- Maximum temperature is 167°F (75°C).
- Maximum voltage is 300V.

Product Number (Female)	Vinyl Color	Wire Range (AWG)	Length	Barrel Length	Bullet Length	Barrel ID	Outer Vinyl Barrel	Inner Vinyl Barrel	Mating Area	Brass Thickness	Strip Length	Mates with Male Terminal
			L	BL	C	ID	VOD	VID	ØF	T		
FSC156FV	Blue	16-14	0.967"	0.416"	0.281"	0.091"	0.230"	0.158"	0.143"	0.0195"	0.226"	SC1B SC4B

** All dimensions in inches*

RECOMMENDED TOOLS OF PUSH ON, QUICK DISCONNECT & BULLET TERMINALS



Eclipse Non-insulated Terminal Crimper
Product Number: 300-005



Eclipse Round Cable Cutter
Product Number: 200-046



Eclipse Wire Stripping Tool
Product Number: 200-003



Eclipse Luner Series Ratcheted Crimper
Product Number: 300-141



Steinel Heat Gun
Product Number: SV-803

RECOMMENDED TOOLS OF PUSH ON, QUICK DISCONNECT & BULLET TERMINALS				
Product	Crimp Tool	Wire Cutter	Wire Stripper	Heat Gun
ALL NON-INSULATED PUSH ON & BULLET TERMINALS	300-005	200-046	200-003	
ALL INSULATED PUSH ON, QUICK DISCONNECT & BULLET TERMINALS	300-141			
NYLON FULLY INSULATED QUICK DISCONNECT TERMINALS WITH HEAT SHRINK				SV-803



IMPORTANT NOTES FOR PURCHASERS AND USERS

IMPORTANT NOTES FOR PURCHASERS AND USERS

Before using this product, user should determine the suitability of the product for its intended use.

SKN expressly disclaims the implied warranties and conditions of merchantability and fitness for a particular purpose. In no case shall SKN be liable under any legal theory, including but not limited to contract or strict liability, for any direct, indirect, special, incidental, or consequential damages resulting from product use.

Made in China



WARRANTY; LIMITED REMEDY; LIMITED LIABILITY

WARRANTY; LIMITED REMEDY; LIMITED LIABILITY

This product will be free from defects in material and manufacture as the date of purchase. SKN makes no other warranties including, but not limited to, any implied warranty of merchantability or fitness for a particular purpose. If this product is defective within the warranty period stated above, your exclusive remedy shall be, at SKN's option, to replace or repair or refund the purchase price of SKN product. Except where prohibited by Law, SKN will not be liable for any loss or damage arising from SKN product, whether direct, indirect, special, incidental or consequential regardless of the legal theory asserted.