



*Industrial products - we wholesale, you distribute*

# **PURE COPPER BATTERY TERMINALS AND CONVERSION POSTS**

**(FILE NAME : RING TERMINALS, SEAMLESS)**

**STRAIGHT STYLE PURE COPPER BATTERY TERMINALS**

**FLAG STYLE PURE COPPER BATTERY TERMINALS**

**ELBOW STYLE PURE COPPER BATTERY TERMINALS**

**ADD-ON PURE COPPER BATTERY TERMINALS**

**PURE COPPER CONVERSION POSTS**

4909 Rondo Drive, Fort Worth, Texas 76106, USA

Telephone: 1-817-403-5835

Fax: 1-817-624-3721

Email: [sales@sknproductsllc.com](mailto:sales@sknproductsllc.com)

[www.sknproducts.com](http://www.sknproducts.com)

[www.sknproductsllc.com](http://www.sknproductsllc.com)

**CATALOG 2023**

## SELECTION GUIDE OF SKN PURE COPPER BATTERY TERMINALS & CONVERSION POSTS



Straight Pure Copper Battery Terminals



Flag Pure Copper Battery Terminals



Elbow Pure Copper Battery Terminals



Add-on Pure Copper Battery Terminals



Pure Copper Conversion Posts

### Product Numbers of SKN Pure Copper Battery Terminals (Positive & Universal Types)

STYLE Wire Range	Straight Universal	Straight Positive	Flag Positive	Elbow Positive Left	Elbow Positive Right	Add-on Positive Left	Add-on Positive Right
4	BT4C	BT4CP					
2		BT2CP					
1		BT1CP					
1/0		BT10CP	BTA10CP	BTE10CPL	BTE10CPR	BTS10CP	
2/0		BT20CP	BTA20CP	BTE20CPL	BTE20CPR	BTS20CP	
3/0		BT30CP	BTA30CP	BTE30CPL	BTE30CPR	BTS30CP	
4/0		BT40CP	BTA40CP	BTE40CPL	BTE40CPR		

### Product Numbers of SKN Pure Copper Battery Terminals (Negative Type)

STYLE Wire Range	Straight Negative	Flag Negative	Elbow Negative Left	Elbow Negative Right	Add-on Negative Left	Add-on Negative Right
4	BT4CN					
2	BT2CN					
1	BT1CN					
1/0	BT10CN	BTA10CN	BTE10CNL	BTE10CNR		BTS10CN
2/0	BT20CN	BTA20CN	BTE20CNL	BTE20CNR		BTS20CN
3/0	BT30CN	BTA30CN	BTE30CNL	BTE30CNR		BTS30CN
4/0	BT40CN	BTA40CN	BTE40CNL	BTE40CNR		

### Product Numbers of SKN Pure Copper Conversion Posts (Positive & Negative Types)

STYLE Stud Size	Positive Type	Negative Type
3/8"	CPS38P	CPS38N

## FEATURES OF SKN PURE COPPER BATTERY TERMINALS

- RoHS
- Manufactured with pure copper with electro tin plated
- High electric conductivity
- Light weight
- High reliability
- Ease of wire insertion with flared end
- Industry standard AWG marked on terminals indicating wire range
- Nuts and bolts included
- Screws with special design for Add-on Pure Copper Battery Terminals
- Stainless steel with nylon lock nuts included

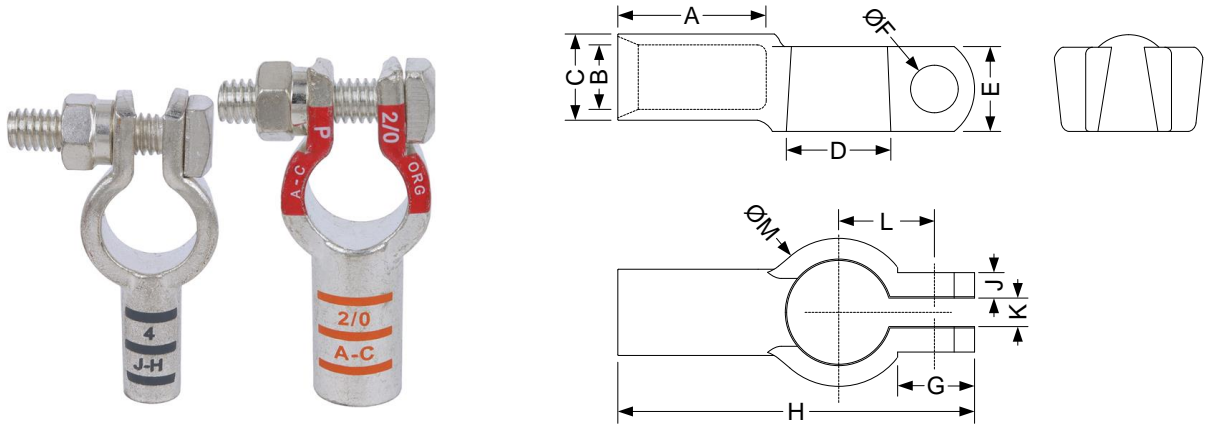


**For copper wire only**

## FEATURES OF SKN PURE COPPER CONVERSION POSTS

- For Converting stud type terminals to post type terminals
- Manufactured with pure copper with electro tin plated
- Rough surface for anti-slip purpose
- High electric conductivity
- High reliability

**SPECIFICATIONS OF STRAIGHT STYLE PURE COPPER BATTERY TERMINALS (POSITIVE & UNIVERSAL TYPES)**



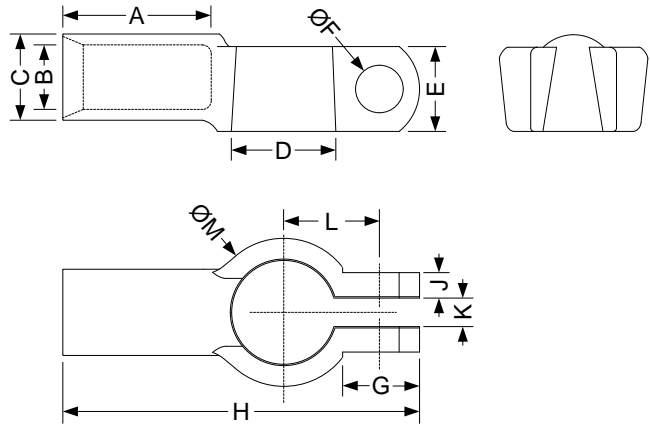
- All pure copper battery terminals are with RoHS.
- All pure copper battery terminals are tin plated.
- Nuts and bolts are included.

Product Number	BT4C	BT4CP	BT2CP	BT1CP	BT10CP	BT20CP	BT30CP	BT40CP
TYPE	UNIVERSAL	POSITIVE						
Wire Range (AWG)	4	4	2	1	1/0	2/0	3/0	4/0
A	0.925"	0.925"	0.925"	0.925"	0.984"	0.965"	0.984"	0.984"
B	0.228"	0.268"	0.335"	0.354"	0.437"	0.461"	0.555"	0.634"
C	0.437"	0.437"	0.472"	0.492"	0.563"	0.630"	0.705"	0.768"
D	0.728"	0.764"	0.764"	0.764"	0.764"	0.764"	0.764"	0.764"
E	0.551"	0.551"	0.551"	0.551"	0.551"	0.630"	0.630"	0.630"
ΦF	0.327"	0.327"	0.327"	0.327"	0.327"	0.327"	0.327"	0.327"
G	0.531"	0.531"	0.531"	0.531"	0.531"	0.531"	0.531"	0.531"
H	2.303"	2.303"	2.303"	2.303"	2.362"	2.382"	2.362"	2.362"
J	0.157"	0.157"	0.157"	0.157"	0.157"	0.177"	0.177"	0.177"
K	0.197"	0.197"	0.197"	0.197"	0.197"	0.197"	0.197"	0.197"
L	0.630"	0.630"	0.630"	0.630"	0.630"	0.630"	0.630"	0.630"
ΦM	1.024"	1.024"	1.024"	1.024"	1.024"	1.043"	1.043"	1.043"

\* All dimensions in inches



**SPECIFICATIONS OF STRAIGHT STYLE  
PURE COPPER BATTERY TERMINALS (NEGATIVE TYPE)**



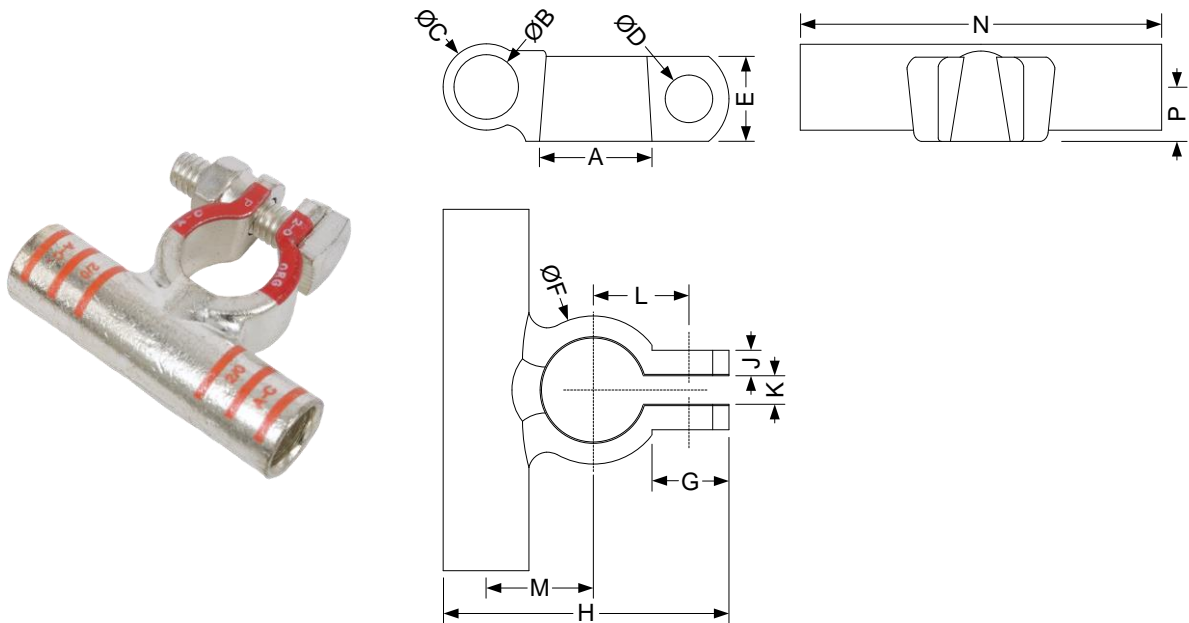
- All pure copper battery terminals are with RoHS.
- All pure copper battery terminals are tin plated.
- Nuts and bolts are included.

Product Number	BT4CN	BT2CN	BT1CN	BT10CN	BT20CN	BT30CN	BT40CN
TYPE	NEGATIVE						
Wire Range (AWG)	4	2	1	1/0	2/0	3/0	4/0
A	0.925"	0.925"	0.925"	0.984"	0.965"	0.984"	0.984"
B	0.268"	0.335"	0.354"	0.437"	0.461"	0.555"	0.634"
C	0.437"	0.472"	0.492"	0.563"	0.630"	0.705"	0.768"
D	0.697"	0.697"	0.697"	0.697"	0.697"	0.697"	0.697"
E	0.551"	0.551"	0.551"	0.551"	0.630"	0.630"	0.630"
ΦF	0.327"	0.327"	0.327"	0.327"	0.327"	0.327"	0.327"
G	0.531"	0.531"	0.531"	0.531"	0.531"	0.531"	0.531"
H	2.303"	2.303"	2.303"	2.362"	2.362"	2.362"	2.362"
J	0.157"	0.157"	0.157"	0.157"	0.177"	0.177"	0.177"
K	0.197"	0.197"	0.197"	0.197"	0.197"	0.197"	0.197"
L	0.630"	0.630"	0.630"	0.630"	0.630"	0.630"	0.630"
ΦM	0.984"	0.984"	0.984"	0.984"	1.004"	1.004"	1.004"

\* All dimensions in inches



## SPECIFICATIONS OF FLAG STYLE PURE COPPER BATTERY TERMINALS (POSITIVE TYPE)



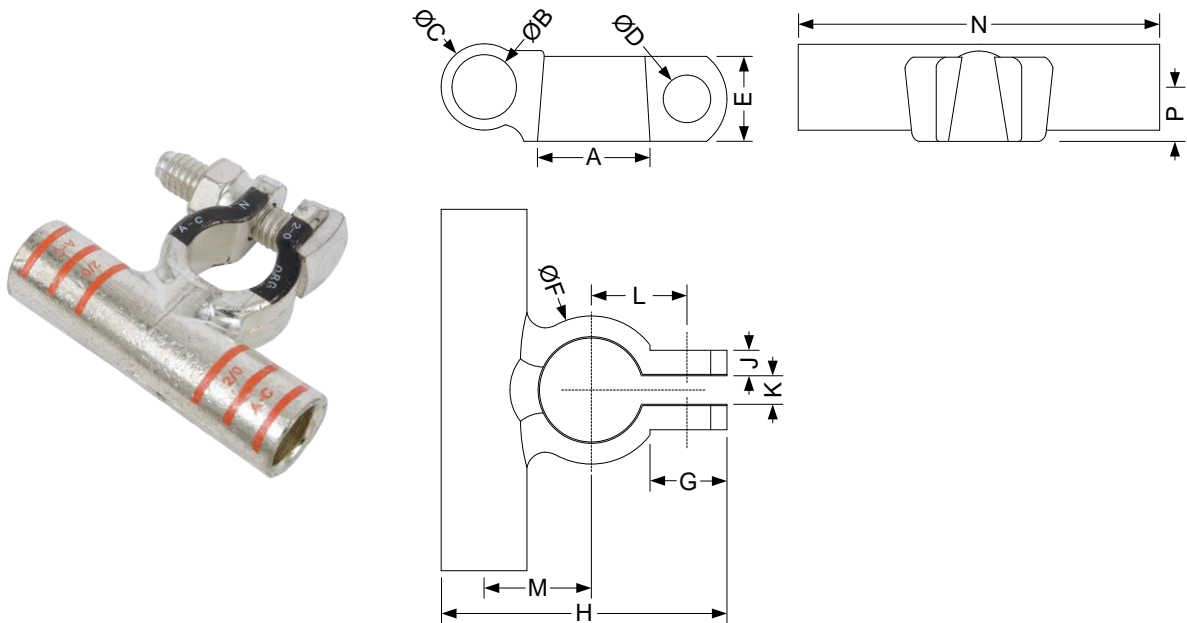
- All pure copper battery terminals are with RoHS.
- All pure copper battery terminals are tin plated.
- Nuts and bolts are included.

Product Number	BTA10CP	BTA20CP	BTA30CP	BTA40CP
<b>TYPE</b>	<b>POSITIVE</b>			
<b>Wire Range (AWG)</b>	1/0	2/0	3/0	4/0
<b>A</b>	0.764"	0.764"	0.764"	0.764"
<b>ΦB</b>	0.433"	0.461"	0.551"	0.630"
<b>ΦC</b>	0.567"	0.646"	0.724"	0.803"
<b>ΦD</b>	0.327"	0.327"	0.327"	0.327"
<b>E</b>	0.551"	0.630"	0.630"	0.630"
<b>ΦF</b>	1.024"	1.043"	1.043"	1.043"
<b>G</b>	0.531"	0.531"	0.531"	0.531"
<b>H</b>	1.888"	1.967"	2.006"	2.045"
<b>J</b>	0.157"	0.177"	0.177"	0.177"
<b>K</b>	0.197"	0.197"	0.197"	0.197"
<b>L</b>	0.630"	0.630"	0.630"	0.630"
<b>M</b>	0.709"	0.748"	0.748"	0.748"
<b>N</b>	2.362"	2.362"	2.362"	2.362"
<b>P</b>	0.354"	0.354"	0.394"	0.433"

*\* All dimensions in inches*



**SPECIFICATIONS OF FLAG STYLE  
PURE COPPER BATTERY TERMINALS (NEGATIVE TYPE)**



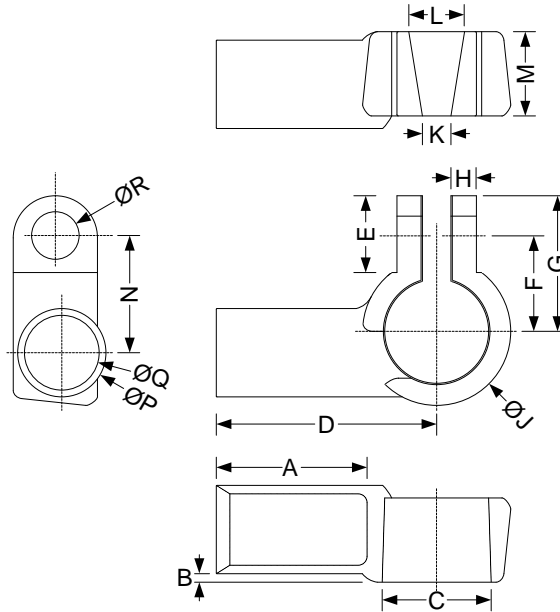
- All pure copper battery terminals are with RoHS.
- All pure copper battery terminals are tin plated.
- Nuts and bolts are included.

Product Number	BTA10CN	BTA20CN	BTA30CN	BTA40CN
<b>TYPE</b>	<b>NEGATIVE</b>			
<b>Wire Range (AWG)</b>	1/0	2/0	3/0	4/0
<b>A</b>	0.697"	0.697"	0.697"	0.697"
<b>ΦB</b>	0.433"	0.461"	0.551"	0.630"
<b>ΦC</b>	0.567"	0.646"	0.724"	0.803"
<b>ΦD</b>	0.327"	0.327"	0.327"	0.327"
<b>E</b>	0.551"	0.630"	0.630"	0.630"
<b>ΦF</b>	0.984"	1.004"	1.004"	1.004"
<b>G</b>	0.531"	0.531"	0.531"	0.531"
<b>H</b>	1.888"	1.967"	2.006"	2.045"
<b>J</b>	0.157"	0.177"	0.177"	0.177"
<b>K</b>	0.197"	0.197"	0.197"	0.197"
<b>L</b>	0.630"	0.630"	0.630"	0.630"
<b>M</b>	0.709"	0.748"	0.748"	0.748"
<b>N</b>	2.362"	2.362"	2.362"	2.362"
<b>P</b>	0.354"	0.354"	0.394"	0.433"

\* All dimensions in inches



**SPECIFICATIONS OF ELBOW STYLE  
PURE COPPER BATTERY TERMINALS (POSITIVE LEFT TYPE)**



- All pure copper battery terminals are with RoHS.
- All pure copper battery terminals are tin plated.
- Nuts and bolts are included.

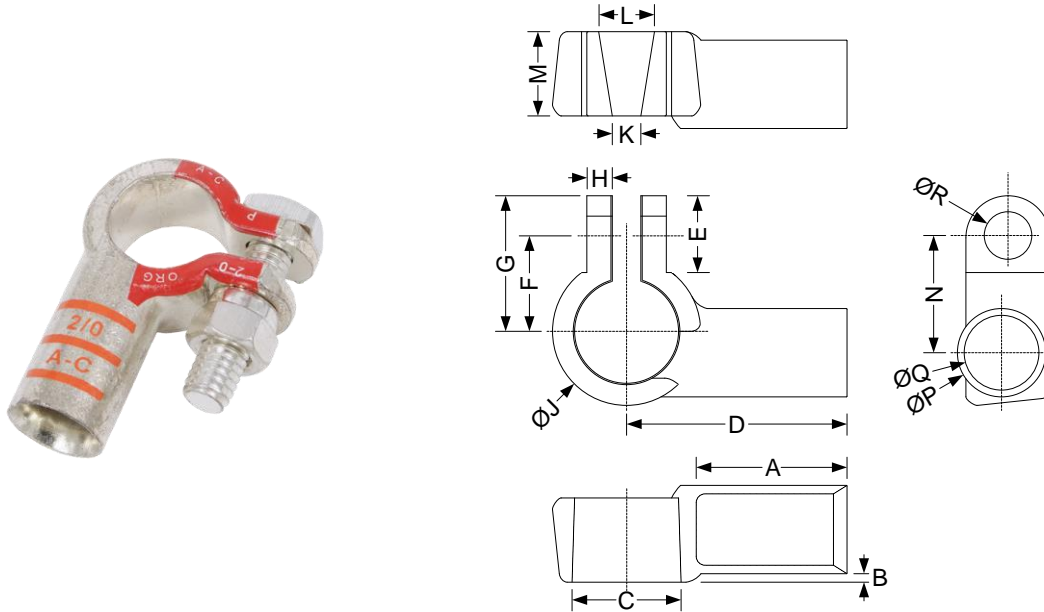
Product Number	BTE10CPL	BTE20CPL	BTE30CPL	BTE40CPL
TYPE	<b>POSITIVE LEFT</b>			
Wire Range (AWG)	1/0	2/0	3/0	4/0
A	0.984"	0.984"	0.984"	0.984"
B	0.053"	0.039"	0.020"	0.020"
C	0.764"	0.764"	0.764"	0.764"
D	1.417"	1.417"	1.417"	1.417"
E	0.531"	0.531"	0.531"	0.531"
F	0.669"	0.669"	0.669"	0.709"
G	0.935"	0.935"	0.935"	0.965"
H	0.157"	0.167"	0.167"	0.167"
ΦJ	1.024"	1.043"	1.043"	1.043"
K	0.197"	0.197"	0.197"	0.197"
L	0.394"	0.394"	0.394"	0.394"
M	0.551"	0.630"	0.630"	0.630"
N	0.817"	0.827"	0.778"	0.709"
ΦP	0.563"	0.630"	0.709"	0.769"
ΦQ	0.433"	0.461"	0.551"	0.630"
ΦR	0.327"	0.327"	0.327"	0.327"

\* All dimensions in inches





## SPECIFICATIONS OF ELBOW STYLE PURE COPPER BATTERY TERMINALS (POSITIVE RIGHT TYPE)



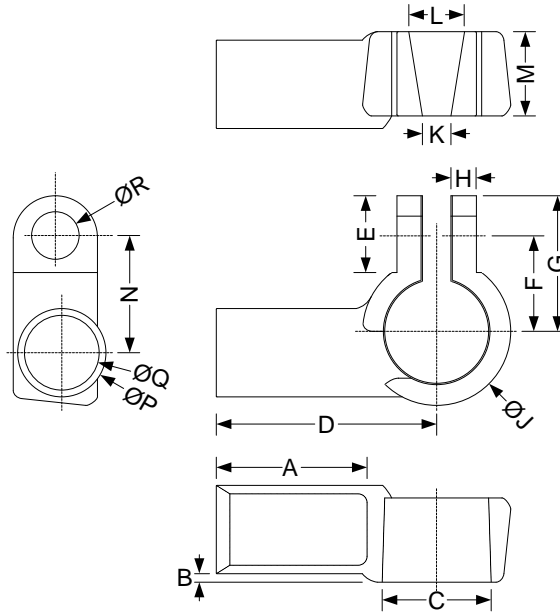
- All pure copper battery terminals are with RoHS.
- All pure copper battery terminals are tin plated.
- Nuts and bolts are included.

Product Number	BTE10CPR	BTE20CPR	BTE30CPR	BTE40CPR
<b>TYPE</b>	<b>POSITIVE RIGHT</b>			
<b>Wire Range (AWG)</b>	1/0	2/0	3/0	4/0
<b>A</b>	0.984"	0.984"	0.984"	0.984"
<b>B</b>	0.053"	0.039"	0.020"	0.020"
<b>C</b>	0.764"	0.764"	0.764"	0.764"
<b>D</b>	1.417"	1.417"	1.417"	1.417"
<b>E</b>	0.531"	0.531"	0.531"	0.531"
<b>F</b>	0.669"	0.669"	0.669"	0.709"
<b>G</b>	0.935"	0.935"	0.935"	0.965"
<b>H</b>	0.157"	0.167"	0.167"	0.167"
<b>ΦJ</b>	1.024"	1.043"	1.043"	1.043"
<b>K</b>	0.197"	0.197"	0.197"	0.197"
<b>L</b>	0.394"	0.394"	0.394"	0.394"
<b>M</b>	0.551"	0.630"	0.630"	0.630"
<b>N</b>	0.817"	0.827"	0.778"	0.709"
<b>ΦP</b>	0.563"	0.630"	0.709"	0.769"
<b>ΦQ</b>	0.433"	0.461"	0.551"	0.630"
<b>ΦR</b>	0.327"	0.327"	0.327"	0.327"

*\* All dimensions in inches*



**SPECIFICATIONS OF ELBOW STYLE  
PURE COPPER BATTERY TERMINALS (NEGATIVE LEFT TYPE)**



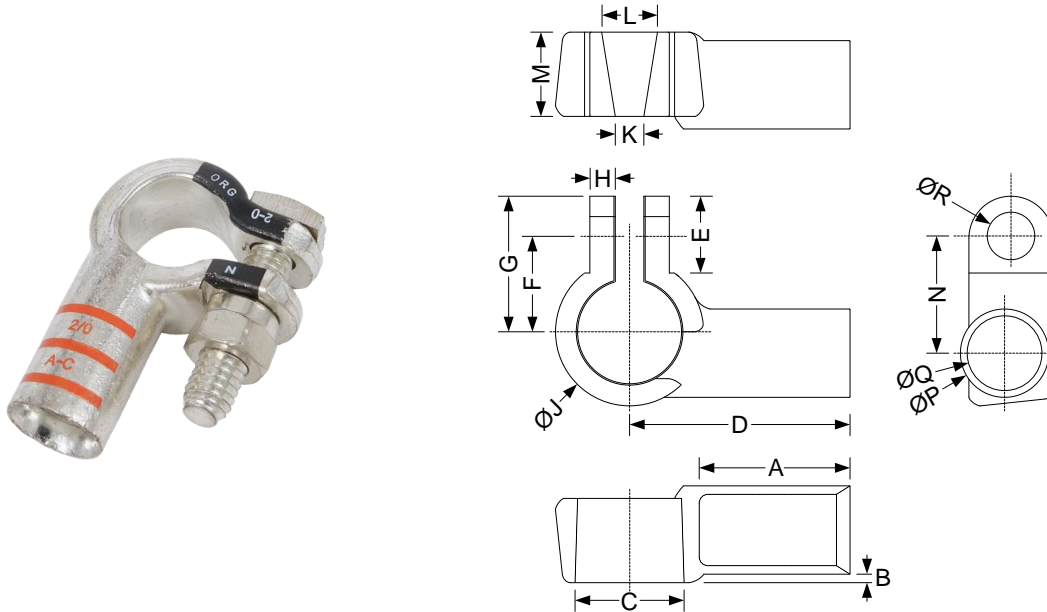
- All pure copper battery terminals are with RoHS.
- All pure copper battery terminals are tin plated.
- Nuts and bolts are included.

Product Number	BTE10CNL	BTE20CNL	BTE30CNL	BTE40CNL
<b>TYPE</b>	<b>NEGATIVE LEFT</b>			
<b>Wire Range (AWG)</b>	1/0	2/0	3/0	4/0
<b>A</b>	0.984"	1.004"	0.984"	0.984"
<b>B</b>	0.053"	0.039"	0.020"	0.020"
<b>C</b>	0.697"	0.697"	0.697"	0.697"
<b>D</b>	1.417"	1.417"	1.417"	1.417"
<b>E</b>	0.531"	0.531"	0.531"	0.531"
<b>F</b>	0.630"	0.630"	0.630"	0.689"
<b>G</b>	0.896"	0.896"	0.896"	0.945"
<b>H</b>	0.157"	0.167"	0.167"	0.167"
<b>ΦJ</b>	0.984"	0.992"	0.992"	0.992"
<b>K</b>	0.197"	0.197"	0.197"	0.197"
<b>L</b>	0.394"	0.394"	0.394"	0.394"
<b>M</b>	0.551"	0.630"	0.630"	0.630"
<b>N</b>	0.778"	0.768"	0.689"	0.689"
<b>ΦP</b>	0.563"	0.630"	0.709"	0.769"
<b>ΦQ</b>	0.433"	0.461"	0.551"	0.630"
<b>ΦR</b>	0.327"	0.327"	0.327"	0.327"

\* All dimensions in inches



**SPECIFICATIONS OF ELBOW STYLE  
PURE COPPER BATTERY TERMINALS (NEGATIVE RIGHT TYPE)**



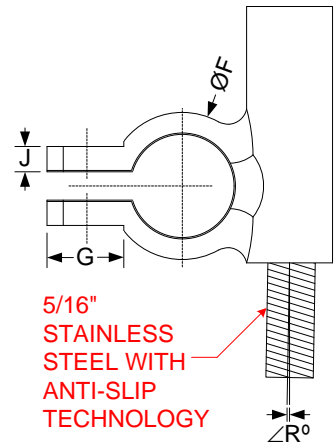
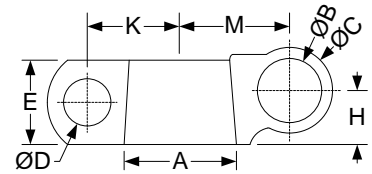
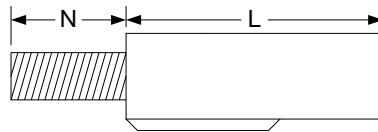
- All pure copper battery terminals are with RoHS.
- All pure copper battery terminals are tin plated.
- Nuts and bolts are included.

Product Number	BTE10CNR	BTE20CNR	BTE30CNR	BTE40CNR
<b>TYPE</b>	<b>NEGATIVE RIGHT</b>			
<b>Wire Range (AWG)</b>	1/0	2/0	3/0	4/0
<b>A</b>	0.984"	1.004"	0.984"	0.984"
<b>B</b>	0.053"	0.039"	0.020"	0.020"
<b>C</b>	0.697"	0.697"	0.697"	0.697"
<b>D</b>	1.417"	1.417"	1.417"	1.417"
<b>E</b>	0.531"	0.531"	0.531"	0.531"
<b>F</b>	0.630"	0.630"	0.630"	0.689"
<b>G</b>	0.896"	0.896"	0.896"	0.945"
<b>H</b>	0.157"	0.167"	0.167"	0.167"
<b>ØJ</b>	0.984"	0.992"	0.992"	0.992"
<b>K</b>	0.197"	0.197"	0.197"	0.197"
<b>L</b>	0.394"	0.394"	0.394"	0.394"
<b>M</b>	0.551"	0.630"	0.630"	0.630"
<b>N</b>	0.778"	0.768"	0.689"	0.689"
<b>ØP</b>	0.563"	0.630"	0.709"	0.769"
<b>ØQ</b>	0.433"	0.461"	0.551"	0.630"
<b>ØR</b>	0.327"	0.327"	0.327"	0.327"

\* All dimensions in inches



**SPECIFICATIONS OF ADD-ON  
PURE COPPER BATTERY TERMINALS (POSITIVE LEFT TYPE)**



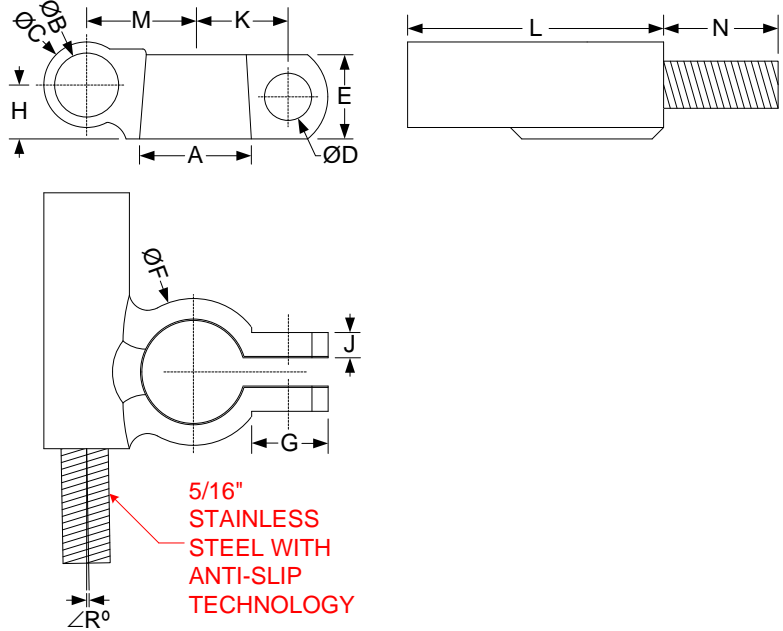
- All pure copper battery terminals are with RoHS.
- All pure copper battery terminals are tin plated.
- Stainless steel with nylon lock nuts are included.

Product Number	BTS10CP	BTS20CP	BTS30CP
Stud Size	5/16"		
TYPE	POSITIVE LEFT		
Wire Range (AWG)	1/0	2/0	3/0
A	0.764"	0.764"	0.764"
ΦB	0.433"	0.465"	0.551"
ΦC	0.559"	0.642"	0.720"
ΦD	0.327"	0.327"	0.327"
E	0.551"	0.630"	0.630"
ΦF	0.984"	1.024"	1.024"
G	0.531"	0.531"	0.531"
H	0.354"	0.354"	0.394"
J	0.157"	0.177"	0.177"
K	0.630"	0.630"	0.630"
L	1.673"	1.673"	1.673"
M	0.709"	0.748"	0.748"
N	0.692"	0.692"	0.692"

\* All dimensions in inches



**SPECIFICATIONS OF ADD-ON  
PURE COPPER BATTERY TERMINALS (NEGATIVE RIGHT TYPE)**



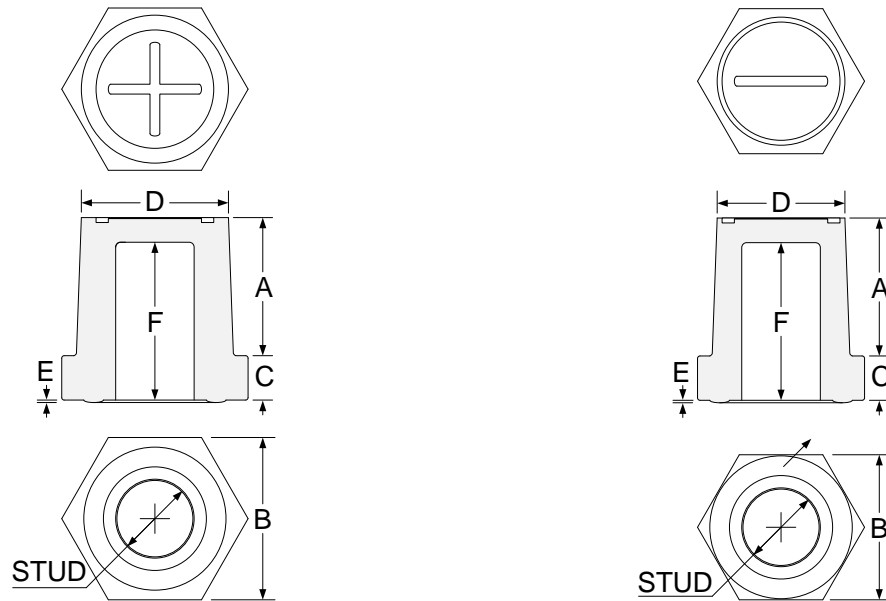
- All pure copper battery terminals are with RoHS.
- All pure copper battery terminals are tin plated.
- Stainless steel with nylon lock nuts are included.

Product Number	BTS10CN	BTS20CN	BTS30CN
Stud Size	5/16"		
TYPE	NEGATIVE RIGHT		
Wire Range (AWG)	1/0	2/0	3/0
A	0.697"	0.697"	0.697"
ΦB	0.433"	0.465"	0.551"
ΦC	0.559"	0.642"	0.720"
ΦD	0.327"	0.327"	0.327"
E	0.551"	0.630"	0.630"
ΦF	0.945"	0.984"	0.984"
G	0.531"	0.531"	0.531"
H	0.354"	0.354"	0.394"
J	0.157"	0.177"	0.177"
K	0.630"	0.630"	0.630"
L	1.673"	1.673"	1.673"
M	0.709"	0.748"	0.748"
N	0.692"	0.692"	0.692"

\* All dimensions in inches



**SPECIFICATIONS OF PURE COPPER CONVERSION POSTS**



- All pure copper conversion posts are tin plated.

Product Number	TYPE	STUD	A	B	C	D	E	F
CPS38P	<b>POSITIVE</b>	3/8"	0.669"	0.827"	0.236"	0.689"	0.039"	0.768"
CPS38N	<b>NEGATIVE</b>		0.669"	0.748"	0.236"	0.622"	0.039"	0.768"

*\* All dimensions in inches*



## IMPORTANT NOTES FOR PURCHASERS AND USERS

### IMPORTANT NOTES FOR PURCHASERS AND USERS

**Before using this product, user should determine the suitability of the product for its intended use.**

**SKN expressly disclaims the implied warranties and conditions of merchantability and fitness for a particular purpose. In no case shall SKN be liable under any legal theory, including but not limited to contract or strict liability, for any direct, indirect, special, incidental, or consequential damages resulting from product use.**

**Made in China**



WARRANTY; LIMITED REMEDY; LIMITED LIABILITY

## **WARRANTY; LIMITED REMEDY; LIMITED LIABILITY**

**This product will be free from defects in material and manufacture as the date of purchase. SKN makes no other warranties including, but not limited to, any implied warranty of merchantability or fitness for a particular purpose. If this product is defective within the warranty period stated above, your exclusive remedy shall be, at SKN's option, to replace or repair or refund the purchase price of SKN product. Except where prohibited by Law, SKN will not be liable for any loss or damage arising from SKN product, whether direct, indirect, special, incidental or consequential regardless of the legal theory asserted.**