



SKN PRODUCTS



INDUSTRIAL PRODUCTS

We Wholesale

You Distribute

SKN PRODUCTS, LLC

4909 Rondo Drive, Fort Worth, Texas 76106, USA

Telephone: 1-817-403-5835

Fax: 1-817-624-3721

Email: sales@sknproductsllc.com

www.sknproducts.com

www.sknproductsllc.com

CATALOG 2024



THE COMPANY

With offices in the U.S. and Hong Kong, SKN Products, LLC (“SKN”) is a leading industrial products wholesaler founded by an American Hong Kong woman entrepreneur in 2004 U.S. After years of innovation SKN continues to grow by boldly entering new product categories.

We wholesale engineering components for industrial, architectural and transportation products. All of our products are designed to be of the highest quality, most durable in the industry.

Our customers' needs are of the utmost importance, thus our entire team is committed to meeting those needs. As a result, our business continues to grow with our current customers and new customers.

PRODUCT TESTING AND RESEARCH

To offer you the best products available, we continuously invest in our lab facilities as well as our quality assurance technologies and testing.

TERMINAL AND CONNECTOR MANUFACTURING

Our distinct approach to terminal and connector manufacturing lets us react promptly to technical changes.

TECHNICAL SERVICES AND ENGINEERING

SKN's technical leadership sets us apart from competitors. Our goal is to provide the highest level of technical products across the industries we serve.

KNOWLEDGEABLE SALESPEOPLE

SKN's team offers advice and support on challenges you face from the best network to standardizing and reducing part costs.

CERTIFICATIONS AND COMPLIANCE

SKN has technical resources available to help you navigate through global product compliance, including application and product standards and global environmental regulations.



TABLE OF CONTENTS

	Page
COPPER CABLE LUGS	1
SELECTION GUIDE OF COPPER CABLE LUGS	2
COPPER CABLE LUGS (SEAMLESS TUBULAR) (TIN PLATED)	3
COPPER CABLE LUGS (SEAMLESS TUBULAR) (NON-PLATED)	5
PURE COPPER BATTERY TERMINALS & CONVERSION POSTS	7
SELECTION GUIDE OF PURE COPPER BATTERY TERMINALS & CONVERSION POSTS	8
STRAIGHT STYLE PURE COPPER BATTERY TERMINALS	9
FLAG STYLE PURE COPPER BATTERY TERMINALS	10
ELBOW STYLE PURE COPPER BATTERY TERMINALS	11
ADD-ON PURE COPPER BATTERY TERMINALS	13
PURE COPPER CONVERSION POSTS	15
TERMINALS	16
SELECTION GUIDE OF TERMINALS	17
NON-INSULATED TERMINALS	
Non-insulated Ring Terminals (Brazed Seam, Tin Plated)	22
Non-insulated Spade Terminals (Brazed Seam, Tin Plated)	24
Non-insulated block Spade Terminals (Brazed Seam, Tin Plated)	24
VINYL INSULATED TERMINALS	
Vinyl Insulated Ring Terminals (Butted Seam)	25
Vinyl Insulated Spade Terminals (Butted Seam)	26
Vinyl Insulated Block Spade Terminals (Butted Seam)	26
Vinyl Insulated Locking Spade Terminals (Butted Seam)	27
NYLON INSULATED TERMINALS	
Nylon Insulated Ring Terminals (Butted Seam) with Brass Sleeves	28
Nylon Insulated Ring Terminals (Butted Seam) without Brass Sleeves	29
Nylon Insulated Spade Terminals (Butted Seam) with Brass Sleeves	30
Nylon Insulated Block Spade Terminals (Butted Seam) with Brass Sleeves	31
Nylon Insulated Locking Spade Terminals (Butted Seam) with Brass Sleeves	32
HEAT SHRINK INSULATED TERMINALS	
Heat Shrink Insulated Ring Terminals (Brazed Seam)	33
Heat Shrink Insulated Spade Terminals (Brazed Seam)	35
Heat Shrink Insulated Block Spade Terminals (Brazed Seam)	36

	Page
CONNECTORS	37
SELECTION GUIDE OF CONNECTORS	38
WIRE NUT CONNECTORS	42
WING WIRE NUT CONNECTORS	42
CLOSED END CONNECTORS	43
BUTT CONNECTORS	
Non-insulated Butt Connectors (Seamless Tube)	44
Vinyl Insulated Butt Connectors (Butted Seam)	45
Nylon Insulated Butt Connectors (Seamless Tube)	46
Heat Shrink Insulated Butt Connectors (Seamless Tube)	47
Heat Shrink Insulated Solder Butt Connectors	48
STEP DOWN BUTT CONNECTORS	
Non-insulated Step Down Butt Connectors	49
Vinyl Insulated Step Down Butt Connectors	50
Heat Shrink Insulated Step Down Butt Connectors	51
QUICK SPLICE CONNECTORS	52
PUSH ON, QUICK DISCONNECT & BULLET TERMINALS	53
SELECTION GUIDE OF PUSH ON, DISCONNECT & BULLET TERMINALS	54
NON-INSULATED PUSH ON TERMINALS	
Non-insulated Male & Female Push On Terminals (Butted Seam, Tin Plated)	56
Non-insulated Female Flag Push On Terminals (Butted Seam, Tin Plated)	57
VINYL INSULATED PUSH ON TERMINALS	
Vinyl Insulated Male & Female Push On Terminals (Butted Seam)	58
NYLON FULLY INSULATED QUICK DISCONNECT TERMINALS	
Nylon Fully Insulated Male & Female Quick Disconnect Terminals (Butted Seam)	59
Nylon Fully Insulated Female Flag Quick Disconnect Terminals (Butted Seam)	60
NYLON FULLY INSULATED QUICK DISCONNECT TERMINALS WITH HEAT SHRINK	
Nylon Fully Insulated Male Quick Disconnect Terminals with Heat Shrink (Butted Seam)	61
Nylon Fully Insulated Female Quick Disconnect Terminals with Heat Shrink (Butted Seam)	62
BULLET TERMINALS	
Non-insulated Male Bullet Terminals (Butted Seam, Tin Plated)	63
Vinyl Insulated Male & Female Bullet Terminals (Butted Seam)	64
K SERIES NYLON INSULATED TERMINALS	65
SELECTION GUIDE OF K SERIES NYLON INSULATED TERMINALS	66
K SERIES NYLON INSULATED TERMINALS WITH COPPER SLEEVES	
K Series Nylon Insulated Ring Terminals (Brazed Seam) with Copper Sleeves	69
K Series Nylon Insulated Spade Terminals (Brazed Seam) with Copper Sleeves	70
K Series Nylon Insulated Locking Spade Terminals (Brazed Seam) with Copper Sleeves	71
K SERIES SINGLE CRIMP NYLON INSULATED TERMINALS	
K Series Single Crimp Nylon Insulated Ring Terminals (Brazed Seam)	72
K Series Single Crimp Nylon Insulated Spade Terminals (Brazed Seam)	74
K Series Single Crimp Nylon Insulated Locking Spade Terminals (Brazed Seam)	75



TABLE OF CONTENTS

	Page
K SERIES HEAT SHRINK INSULATED TERMINALS & BUTT CONNECTORS WITH COPPER SLEEVES & FUNNEL ENTRIES	76
SELECTION GUIDE OF K SERIES HEAT SHRINK INSULATED TERMINALS & BUTT CONNECTORS WITH COPPER SLEEVES & FUNNEL ENTRIES	77
K SERIES HEAT SHRINK INSULATED RING TERMINALS WITH COPPER SLEEVES & FUNNEL ENTRIES	
K Series Heat Shrink Insulated Ring Terminals with Copper Sleeves & Funnel Entries	79
K Series Heat Shrink Insulated Spade Terminals with Copper Sleeves & Funnel Entries	80
K SERIES HEAT SHRINK INSULATED BUTT CONNECTORS WITH COPPER SLEEVES & FUNNEL ENTRIES	81
K SERIES PUSH ON & BULLET TERMINALS	82
SELECTION GUIDE OF K SERIES PUSH ON & BULLET TERMINALS	83
K SERIES NYLON INSULATED PUSH ON TERMINALS WITH COPPER SLEEVES	84
K SERIES VINYL INSULATED PIGGY BACK PUSH ON TERMINALS WITH COPPER SLEEVES	85
K SERIES NYLON FULLY INSULATED FEMALE BULLET TERMINALS WITH COPPER SLEEVES	85
INSTALLATION TOOLS & ACCESSORIES	86
CRIMPERS	87
STRIPPING TOOLS	89
CABLE CUTTERS	90
HEAT GUN	91
CABLE TIE ACCESSORIES	92
SELECTION GUIDE OF CABLE TIE ACCESSORIES	93
CABLE TIE MOUNTS	94
NYLON CABLE CLAMPS	95
DISCLAIMER	96

COPPER CABLE LUGS

(FILE NAME : RING TERMINALS, SEAMLESS)

COPPER CABLE LUGS (SEAMLESS TUBULAR) (TIN PLATED)

COPPER CABLE LUGS (SEAMLESS TUBULAR) (NON-PLATED)



UL LISTED



SELECTION GUIDE OF SKN COPPER CABLE LUGS



Copper Cable Lugs
(Seamless Tubular) (Tin Plated)



Copper Cable Lugs
(Seamless Tubular) (Non-plated)

Product Numbers of SKN Copper Cable Lugs (Seamless Tubular) (Tin Plated)

Stud Size Wire Range	#10	1/4"	5/16"	3/8"	1/2"
8	CL810TP	CL814TP	CL856TP	CL838TP	CL812TP
6	CL610TP	CL614TP	CL656TP	CL638TP	CL612TP
4	CL410TP	CL414TP	CL456TP	CL438TP	CL412TP
2		CL214TP	CL256TP	CL238TP	CL212TP
1		CL114TP	CL156TP	CL138TP	CL112TP
1/0		CL1014TP	CL1056TP	CL1038TP	CL1012TP
2/0		CL2014TP	CL2056TP	CL2038TP	CL2012TP
3/0			CL3056TP	CL3038TP	CL3012TP
4/0			CL4056TP	CL4038TP	CL4012TP

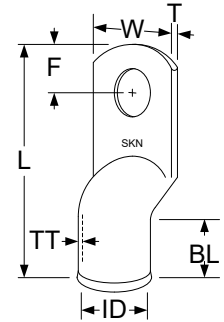
Product Numbers of SKN Copper Cable Lugs (Seamless Tubular) (Non-plated)

Stud Size Wire Range	#10	1/4"	5/16"	3/8"	1/2"
8	CL810	CL814	CL856	CL838	CL812
6	CL610	CL614	CL656	CL638	CL612
4	CL410	CL414	CL456	CL438	CL412
2		CL214	CL256	CL238	CL212
1		CL114	CL156	CL138	CL112
1/0		CL1014	CL1056	CL1038	CL1012
2/0		CL2014	CL2056	CL2038	CL2012
3/0			CL3056	CL3038	CL3012
4/0			CL4056	CL4038	CL4012

**COPPER CABLE LUGS (SEAMLESS TUBULAR) (TIN PLATED)
AWG 8 to AWG 1**

- UL listed
- Heavy Duty
- Electro tin plated
- Manufactured from high conductivity seamless copper tubing
- Ease of wire insertion with flared end
- Industry standard AWG marked on terminals indicating wire range
- Maximum voltage 600V

For Copper Wire only



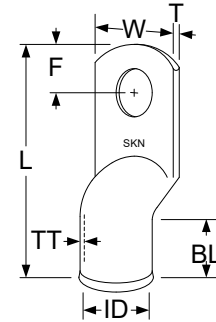
Product Number	Wire Range (AWG)	Stud Size	Stud	Length	Width		Pad Thickness	Tube Thickness	Barrel Length	Barrel I.D.	Pad Length	Strip Length
				L	W	F	T	TT	BL	ID		
CL810TP	8	#10	0.200"	1.100"	0.450"	0.246"	0.048"	0.0354"	0.340"	0.185"	0.624"	0.330"
CL814TP		1/4"	0.265"	1.200"	0.480"	0.318"	0.049"					
CL856TP		5/16"	0.328"	1.230"	0.510"	0.330"	0.045"					
CL838TP		3/8"	0.407"	1.366"	0.614"	0.398"	0.055"	0.0512"	0.433"	0.185"	0.798"	
CL812TP		1/2"	0.512"	1.508"	0.728"	0.456"	0.051"				0.827"	
CL610TP	6	#10	0.200"	1.340"	0.540"	0.254"	0.053"	0.0394"	0.420"	0.232"	0.725"	0.410"
CL614TP		1/4"	0.265"		0.280"	0.052"						
CL656TP		5/16"	0.328"	1.370"	0.550"	0.364"	0.0413"				0.756"	
CL638TP		3/8"	0.397"	1.380"	0.590"	0.370"		0.047"			0.767"	
CL612TP		1/2"	0.515"	1.550"	0.740"	0.390"	0.035"	0.905"				
CL410TP	4	#10	0.200"	1.350"	0.540"	0.300"	0.066"	0.0314"	0.530"	0.299"	0.654"	0.520"
CL414TP		1/4"	0.265"	1.380"		0.065"						
CL456TP		5/16"	0.328"	1.420"		0.590"	0.350"				0.056"	
CL438TP		3/8"	0.397"	1.560"	0.678"	0.419"	0.060"	0.835"				
CL412TP		1/2"	0.515"	1.640"	0.740"	0.406"	0.057"	0.898"				
CL214TP	2	1/4"	0.265"	1.610"	0.626"	0.310"	0.082"	0.0433"	0.550"	0.343"	0.727"	0.540"
CL256TP		5/16"	0.328"		0.360"	0.086"						
CL238TP		3/8"	0.397"	1.720"	0.689"	0.440"	0.068"				0.839"	
CL212TP		1/2"	0.515"	1.770"	0.730"	0.481"	0.063"				0.995"	
CL114TP	1	1/4"	0.265"	1.680"	0.656"	0.401"	0.082"	0.0433"	0.560"	0.360"	0.793"	0.550"
CL156TP		5/16"	0.328"		0.673"	0.374"	0.083"				0.980"	
CL138TP		3/8"	0.397"	1.800"	0.720"	0.421"	0.067"				0.994"	
CL112TP		1/2"	0.515"	1.860"	0.800"	0.485"					0.984"	

** All dimensions in inches*



COPPER CABLE LUGS (SEAMLESS TUBULAR) (TIN PLATED)
AWG 1/0 to AWG 4/0

- UL listed
- Heavy Duty
- Electro tin plated
- Manufactured from high conductivity seamless copper tubing
- Ease of wire insertion with flared end
- Industry standard AWG marked on terminals indicating wire range
- Maximum voltage 600V



For Copper Wire only

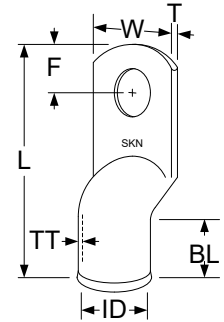
Product Number	Wire Range (AWG)	Stud Size	Stud	Length	Width		Pad Thickness	Tube Thickness	Barrel Length	Barrel I.D.	Pad Length	Strip Length
				L	W	F	T	TT	BL	ID		
CL1014TP	1/0	1/4"	0.265"	1.700"	0.753"	0.401"	0.102"	0.0512"	0.560"	0.417"	0.850"	0.550"
CL1056TP		5/16"	0.328"	1.840"	0.769"	0.416"					0.920"	
CL1038TP		3/8"	0.397"	1.870"	0.764"	0.461"	0.096"				0.968"	
CL1012TP		1/2"	0.515"	1.900"	0.756"	0.520"						
CL2014TP	2/0	1/4"	0.265"	1.900"	0.874"	0.440"	0.097"	0.0551"	0.720"	0.460"	0.912"	0.710"
CL2056TP		5/16"	0.328"	1.940"	0.891"	0.441"	0.110"				0.974"	
CL2038TP		3/8"	0.397"	2.000"	0.837"	0.462"						
CL2012TP		1/2"	0.515"			0.522"						
CL3056TP	3/0	5/16"	0.328"	2.200"	0.894"	0.424"	0.114"	0.0591"	0.810"	0.496"	1.035"	0.800"
CL3038TP		3/8"	0.397"	2.280"		0.526"						
CL3012TP		1/2"	0.515"			0.520"						
CL4056TP	4/0	5/16"	0.328"	2.360"	1.000"	0.514"	0.114"	0.0591"	0.840"	0.551"	1.100"	0.830"
CL4038TP		3/8"	0.397"			0.564"						
CL4012TP		1/2"	0.515"			0.540"						

* All dimensions in inches

**COPPER CABLE LUGS (SEAMLESS TUBULAR) (NON-PLATED)
AWG 8 to AWG 1**

- UL listed
- Heavy Duty
- Manufactured from high conductivity seamless copper tubing
- Ease of wire insertion with flared end
- Industry standard AWG marked on terminals indicating wire range
- Maximum voltage 600V

For Copper Wire only



Product Number	Wire Range (AWG)	Stud Size	Stud	Length	Width		Pad Thickness	Tube Thickness	Barrel Length	Barrel I.D.	Pad Length	Strip Length
				L	W	F	T	TT	BL	ID		
CL810	8	#10	0.200"	1.100"	0.450"	0.246"	0.048"	0.0354"	0.340"	0.185"	0.624"	0.330"
CL814		1/4"	0.265"	1.200"	0.480"	0.318"	0.049"					
CL856		5/16"	0.328"	1.230"	0.510"	0.330"	0.045"					
CL838		3/8"	0.407"	1.366"	0.614"	0.398"	0.055"	0.0512"	0.433"	0.185"	0.798"	
CL812		1/2"	0.512"	1.508"	0.728"	0.456"	0.051"				0.827"	
CL610	6	#10	0.200"	1.340"	0.540"	0.254"	0.053"	0.0394"	0.420"	0.232"	0.725"	0.410"
CL614		1/4"	0.265"		0.280"	0.052"						
CL656		5/16"	0.328"	1.370"	0.550"	0.364"	0.0413"				0.756"	
CL638		3/8"	0.397"	1.380"	0.590"	0.370"		0.047"			0.767"	
CL612		1/2"	0.515"	1.550"	0.740"	0.390"	0.035"	0.905"				
CL410	4	#10	0.200"	1.350"	0.540"	0.300"	0.066"	0.0314"	0.530"	0.299"	0.654"	0.520"
CL414		1/4"	0.265"	1.380"		0.065"						
CL456		5/16"	0.328"	1.420"	0.590"	0.350"	0.056"				0.0433"	
CL438		3/8"	0.397"	1.560"	0.678"	0.419"	0.060"	0.835"				
CL412		1/2"	0.515"	1.640"	0.740"	0.406"	0.057"	0.898"				
CL214	2	1/4"	0.265"	1.610"	0.626"	0.310"	0.082"	0.0433"	0.550"	0.343"	0.727"	0.540"
CL256		5/16"	0.328"		0.360"	0.086"						
CL238		3/8"	0.397"	1.720"	0.689"	0.440"	0.068"				0.839"	
CL212		1/2"	0.515"	1.770"	0.730"	0.481"	0.063"				0.995"	
CL114	1	1/4"	0.265"	1.680"	0.656"	0.401"	0.082"	0.0433"	0.560"	0.360"	0.793"	0.550"
CL156		5/16"	0.328"		0.673"	0.374"	0.083"				0.980"	
CL138		3/8"	0.397"	1.800"	0.720"	0.421"	0.067"				0.994"	
CL112		1/2"	0.515"	1.860"	0.800"	0.485"					0.984"	

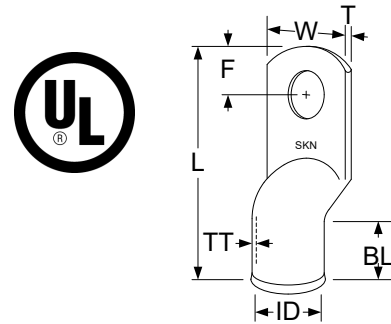
** All dimensions in inches*



COPPER CABLE LUGS (SEAMLESS TUBULAR) (NON-PLATED)
AWG 1/0 to AWG 4/0

- UL listed
- Heavy Duty
- Manufactured from high conductivity seamless copper tubing
- Ease of wire insertion with flared end
- Industry standard AWG marked on terminals indicating wire range
- Maximum voltage 600V

For Copper Wire only



Product Number	Wire Range (AWG)	Stud Size	Stud	Length			Pad Thickness		Tube Thickness	Barrel Length	Barrel I.D.	Pad Length	Strip Length
				L	W	F	T	TT					
CL1014	1/0	1/4"	0.265"	1.700"	0.753"	0.401"	0.102"	0.0512"	0.560"	0.417"	0.850"	0.550"	
CL1056		5/16"	0.328"	1.840"	0.769"	0.416"							
CL1038		3/8"	0.397"	1.870"	0.764"	0.461"	0.096"						
CL1012		1/2"	0.515"	1.900"	0.756"	0.520"							
CL2014	2/0	1/4"	0.265"	1.900"	0.874"	0.440"	0.097"	0.0551"	0.720"	0.460"	0.912"	0.710"	
CL2056		5/16"	0.328"	1.940"	0.891"	0.441"							
CL2038		3/8"	0.397"	2.000"	0.837"	0.462"	0.110"						
CL2012		1/2"	0.515"			0.522"							
CL3056	3/0	5/16"	0.328"	2.200"	0.894"	0.424"	0.114"	0.0591"	0.810"	0.496"	1.035"	0.800"	
CL3038		3/8"	0.397"	2.280"		0.526"							
CL3012		1/2"	0.515"			0.520"							
CL4056	4/0	5/16"	0.328"	2.360"	1.000"	0.514"	0.114"	0.0591"	0.840"	0.551"	1.100"	0.830"	
CL4038		3/8"	0.397"			0.564"							
CL4012		1/2"	0.515"			0.540"							

* All dimensions in inches

PURE COPPER BATTERY TERMINALS & CONVERSION POSTS

(FILE NAME : RING TERMINALS, SEAMLESS)

STRAIGHT STYLE PURE COPPER BATTERY TERMINALS

FLAG STYLE PURE COPPER BATTERY TERMINALS

ELBOW STYLE PURE COPPER BATTERY TERMINALS

ADD-ON PURE COPPER BATTERY TERMINALS

PURE COPPER CONVERSION POSTS



SELECTION GUIDE OF SKN PURE COPPER BATTERY TERMINALS & CONVERSION POSTS



Straight Pure Copper Battery Terminals



Flag Pure Copper Battery Terminals



Elbow Pure Copper Battery Terminals



Add-on Pure Copper Battery Terminals



Pure Copper Conversion Posts

Product Numbers of SKN Pure Copper Battery Terminals (Positive & Universal Types)

Style Wire Range	Straight Universal	Straight Positive	Flag Positive	Elbow Positive Left	Elbow Positive Right	Add-on Positive Left	Add-on Positive Right
4	BT4C	BT4CP					
2		BT2CP					
1		BT1CP					
1/0		BT10CP	BTA10CP	BTE10CPL	BTE10CPR	BTS10CP	
2/0		BT20CP	BTA20CP	BTE20CPL	BTE20CPR	BTS20CP	
3/0		BT30CP	BTA30CP	BTE30CPL	BTE30CPR	BTS30CP	
4/0		BT40CP	BTA40CP	BTE40CPL	BTE40CPR		

Product Numbers of SKN Pure Copper Battery Terminals (Negative Type)

Style Wire Range	Straight Negative	Flag Negative	Elbow Negative Left	Elbow Negative Right	Add-on Negative Left	Add-on Negative Right
4	BT4CN					
2	BT2CN					
1	BT1CN					
1/0	BT10CN	BTA10CN	BTE10CNL	BTE10CNR		BTS10CN
2/0	BT20CN	BTA20CN	BTE20CNL	BTE20CNR		BTS20CN
3/0	BT30CN	BTA30CN	BTE30CNL	BTE30CNR		BTS30CN
4/0	BT40CN	BTA40CN	BTE40CNL	BTE40CNR		

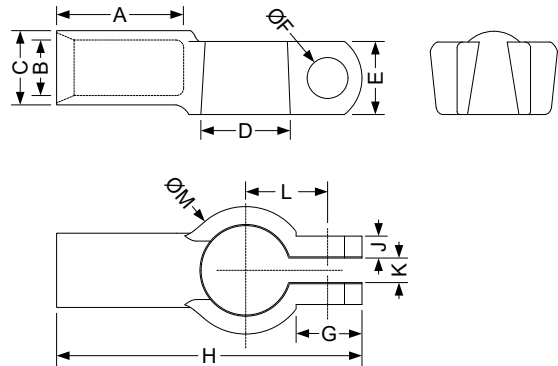
Product Numbers of SKN Pure Copper Conversion Posts (Positive & Negative Types)

Style Stud Size	Positive Type	Negative Type
3/8"	CPS38P	CPS38N

STRAIGHT STYLE PURE COPPER BATTERY TERMINALS

- RoHS
- Universal, Positive and Negative Types
- Manufactured with pure copper with electro tin plated
- High electric conductivity
- Light weight
- High reliability
- Ease of wire insertion with flared end
- Industry standard AWG marked on terminals indicating wire range
- Nuts and bolts included

For Copper Wire only



Product Number	BT4C	BT4CP	BT2CP	BT1CP	BT10CP	BT20CP	BT30CP	BT40CP
TYPE	UNIVERSAL	POSITIVE						
Wire Range (AWG)	4	4	2	1	1/0	2/0	3/0	4/0
A	0.925"	0.925"	0.925"	0.925"	0.984"	0.965"	0.984"	0.984"
B	0.228"	0.268"	0.335"	0.354"	0.437"	0.461"	0.555"	0.634"
C	0.437"	0.437"	0.472"	0.492"	0.563"	0.630"	0.705"	0.768"
D	0.728"	0.764"	0.764"	0.764"	0.764"	0.764"	0.764"	0.764"
E	0.551"	0.551"	0.551"	0.551"	0.551"	0.630"	0.630"	0.630"
ΦF	0.327"	0.327"	0.327"	0.327"	0.327"	0.327"	0.327"	0.327"
G	0.531"	0.531"	0.531"	0.531"	0.531"	0.531"	0.531"	0.531"
H	2.303"	2.303"	2.303"	2.303"	2.362"	2.382"	2.362"	2.362"
J	0.157"	0.157"	0.157"	0.157"	0.157"	0.177"	0.177"	0.177"
K	0.197"	0.197"	0.197"	0.197"	0.197"	0.197"	0.197"	0.197"
L	0.630"	0.630"	0.630"	0.630"	0.630"	0.630"	0.630"	0.630"
ΦM	1.024"	1.024"	1.024"	1.024"	1.024"	1.043"	1.043"	1.043"

Product Number	BT4CN	BT2CN	BT1CN	BT10CN	BT20CN	BT30CN	BT40CN
TYPE	NEGATIVE						
Wire Range (AWG)	4	2	1	1/0	2/0	3/0	4/0
A	0.925"	0.925"	0.925"	0.984"	0.965"	0.984"	0.984"
B	0.268"	0.335"	0.354"	0.437"	0.461"	0.555"	0.634"
C	0.437"	0.472"	0.492"	0.563"	0.630"	0.705"	0.768"
D	0.697"	0.697"	0.697"	0.697"	0.697"	0.697"	0.697"
E	0.551"	0.551"	0.551"	0.551"	0.630"	0.630"	0.630"
ΦF	0.327"	0.327"	0.327"	0.327"	0.327"	0.327"	0.327"
G	0.531"	0.531"	0.531"	0.531"	0.531"	0.531"	0.531"
H	2.303"	2.303"	2.303"	2.362"	2.362"	2.362"	2.362"
J	0.157"	0.157"	0.157"	0.157"	0.177"	0.177"	0.177"
K	0.197"	0.197"	0.197"	0.197"	0.197"	0.197"	0.197"
L	0.630"	0.630"	0.630"	0.630"	0.630"	0.630"	0.630"
ΦM	0.984"	0.984"	0.984"	0.984"	1.004"	1.004"	1.004"

* All dimensions in inches

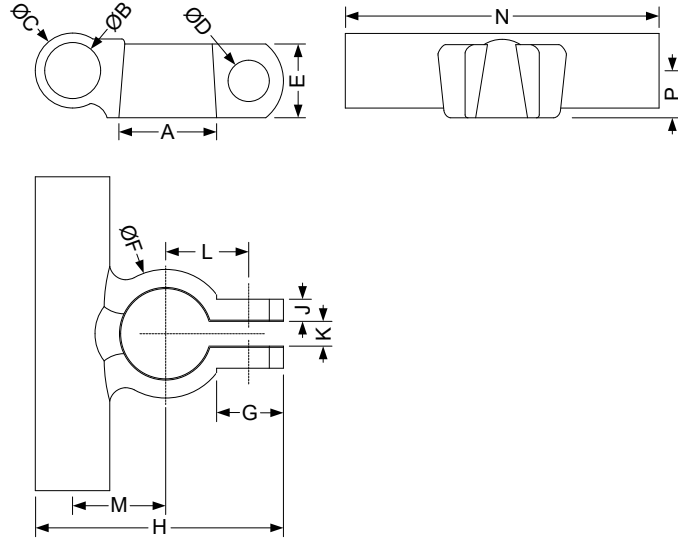




FLAG STYLE PURE COPPER BATTERY TERMINALS

- RoHS
- Positive and Negative Types
- Manufactured with pure copper
- Electro tin plated
- High electric conductivity
- Light weight
- High reliability
- Ease of wire insertion with flared end
- Industry standard AWG marked on terminals indicating wire range
- Nuts and bolts included

For Copper Wire only



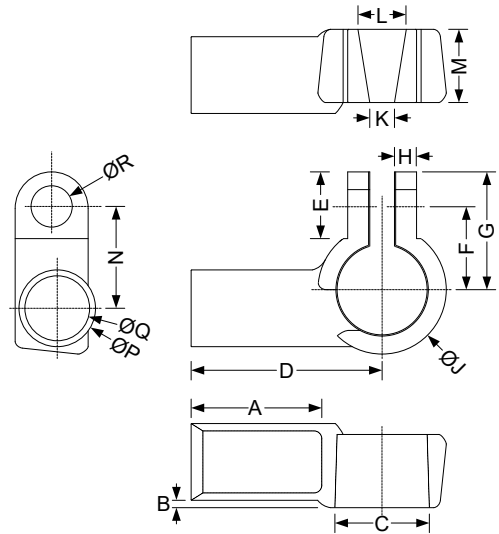
Product Number	BTA10CP	BTA20CP	BTA30CP	BTA40CP	BTA10CN	BTA20CN	BTA30CN	BTA40CN
TYPE	POSITIVE				NEGATIVE			
Wire Range (AWG)	1/0	2/0	3/0	4/0	1/0	2/0	3/0	4/0
A	0.764"	0.764"	0.764"	0.764"	0.697"	0.697"	0.697"	0.697"
ΦB	0.433"	0.461"	0.551"	0.630"	0.433"	0.461"	0.551"	0.630"
ΦC	0.567"	0.646"	0.724"	0.803"	0.567"	0.646"	0.724"	0.803"
ΦD	0.327"	0.327"	0.327"	0.327"	0.327"	0.327"	0.327"	0.327"
E	0.551"	0.630"	0.630"	0.630"	0.551"	0.630"	0.630"	0.630"
ΦF	1.024"	1.043"	1.043"	1.043"	0.984"	1.004"	1.004"	1.004"
G	0.531"	0.531"	0.531"	0.531"	0.531"	0.531"	0.531"	0.531"
H	1.888"	1.967"	2.006"	2.045"	1.888"	1.967"	2.006"	2.045"
J	0.157"	0.177"	0.177"	0.177"	0.157"	0.177"	0.177"	0.177"
K	0.197"	0.197"	0.197"	0.197"	0.197"	0.197"	0.197"	0.197"
L	0.630"	0.630"	0.630"	0.630"	0.630"	0.630"	0.630"	0.630"
M	0.709"	0.748"	0.748"	0.748"	0.709"	0.748"	0.748"	0.748"
N	2.362"	2.362"	2.362"	2.362"	2.362"	2.362"	2.362"	2.362"
P	0.354"	0.354"	0.394"	0.433"	0.354"	0.354"	0.394"	0.433"

* All dimensions in inches



ELBOW STYLE PURE COPPER BATTERY TERMINALS (POSITIVE TYPES)

- RoHS
- Positive Left and Positive Right Types
- Manufactured with pure copper
- Electro tin plated
- High electric conductivity
- Light weight
- High reliability
- Ease of wire insertion with flared end
- Industry standard AWG marked on terminals indicating wire range
- Nuts and bolts included



For Copper Wire only

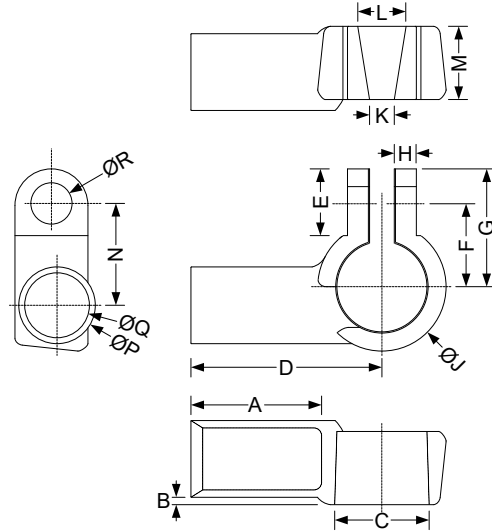
Product Number	BTE10CPL	BTE20CPL	BTE30CPL	BTE40CPL	BTE10CPR	BTE20CPR	BTE30CPR	BTE40CPR
TYPE	POSITIVE LEFT				POSITIVE RIGHT			
Wire Range (AWG)	1/0	2/0	3/0	4/0	1/0	2/0	3/0	4/0
A	0.984"	0.984"	0.984"	0.984"	0.984"	0.984"	0.984"	0.984"
B	0.053"	0.039"	0.020"	0.020"	0.053"	0.039"	0.020"	0.020"
C	0.764"	0.764"	0.764"	0.764"	0.764"	0.764"	0.764"	0.764"
D	1.417"	1.417"	1.417"	1.417"	1.417"	1.417"	1.417"	1.417"
E	0.531"	0.531"	0.531"	0.531"	0.531"	0.531"	0.531"	0.531"
F	0.669"	0.669"	0.669"	0.709"	0.669"	0.669"	0.669"	0.709"
G	0.935"	0.935"	0.935"	0.965"	0.935"	0.935"	0.935"	0.965"
H	0.157"	0.167"	0.167"	0.167"	0.157"	0.167"	0.167"	0.167"
ΦJ	1.024"	1.043"	1.043"	1.043"	1.024"	1.043"	1.043"	1.043"
K	0.197"	0.197"	0.197"	0.197"	0.197"	0.197"	0.197"	0.197"
L	0.394"	0.394"	0.394"	0.394"	0.394"	0.394"	0.394"	0.394"
M	0.551"	0.630"	0.630"	0.630"	0.551"	0.630"	0.630"	0.630"
N	0.817"	0.827"	0.778"	0.709"	0.817"	0.827"	0.778"	0.709"
ΦP	0.563"	0.630"	0.709"	0.769"	0.563"	0.630"	0.709"	0.769"
ΦQ	0.433"	0.461"	0.551"	0.630"	0.433"	0.461"	0.551"	0.630"
ΦR	0.327"	0.327"	0.327"	0.327"	0.327"	0.327"	0.327"	0.327"

** All dimensions in inches*



ELBOW STYLE PURE COPPER BATTERY TERMINALS (NEGATIVE TYPES)

- RoHS
- Positive Left and Positive Right Types
- Manufactured with pure copper
- Electro tin plated
- High electric conductivity
- Light weight
- High reliability
- Ease of wire insertion with flared end
- Industry standard AWG marked on terminals indicating wire range
- Nuts and bolts included



For Copper Wire only

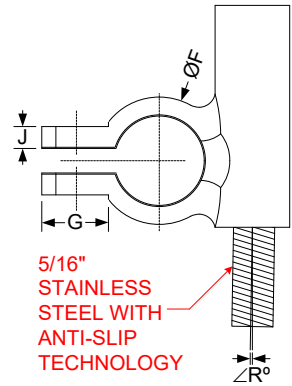
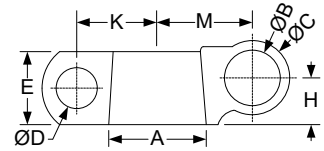
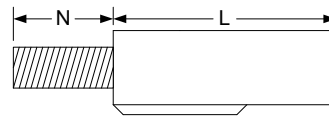
Product Number	BTE10CNL	BTE20CNL	BTE30CNL	BTE40CNL	BTE10CNR	BTE20CNR	BTE30CNR	BTE40CNR
TYPE	NEGATIVE LEFT				NEGATIVE RIGHT			
Wire Range (AWG)	1/0	2/0	3/0	4/0	1/0	2/0	3/0	4/0
A	0.984"	1.004"	0.984"	0.984"	0.984"	1.004"	0.984"	0.984"
B	0.053"	0.039"	0.020"	0.020"	0.053"	0.039"	0.020"	0.020"
C	0.697"	0.697"	0.697"	0.697"	0.697"	0.697"	0.697"	0.697"
D	1.417"	1.417"	1.417"	1.417"	1.417"	1.417"	1.417"	1.417"
E	0.531"	0.531"	0.531"	0.531"	0.531"	0.531"	0.531"	0.531"
F	0.630"	0.630"	0.630"	0.689"	0.630"	0.630"	0.630"	0.689"
G	0.896"	0.896"	0.896"	0.945"	0.896"	0.896"	0.896"	0.945"
H	0.157"	0.167"	0.167"	0.167"	0.157"	0.167"	0.167"	0.167"
ØJ	0.984"	0.992"	0.992"	0.992"	0.984"	0.992"	0.992"	0.992"
K	0.197"	0.197"	0.197"	0.197"	0.197"	0.197"	0.197"	0.197"
L	0.394"	0.394"	0.394"	0.394"	0.394"	0.394"	0.394"	0.394"
M	0.551"	0.630"	0.630"	0.630"	0.551"	0.630"	0.630"	0.630"
N	0.778"	0.768"	0.689"	0.689"	0.778"	0.768"	0.689"	0.689"
ØP	0.563"	0.630"	0.709"	0.769"	0.563"	0.630"	0.709"	0.769"
ØQ	0.433"	0.461"	0.551"	0.630"	0.433"	0.461"	0.551"	0.630"
ØR	0.327"	0.327"	0.327"	0.327"	0.327"	0.327"	0.327"	0.327"

** All dimensions in inches*

ADD-ON PURE COPPER BATTERY TERMINALS (POSITIVE LEFT TYPES)

- RoHS
- Manufactured with pure copper
- Electro tin plated
- High electric conductivity
- Light weight
- High reliability
- Ease of wire insertion with flared end
- Industry standard AWG marked on terminals indicating wire range
- Special designed screws
- Stainless steel with nylon lock nuts included

For Copper Wire only



Product Number	BTS10CP	BTS20CP	BTS30CP
Stud Size	5/16"		
TYPE	POSITIVE LEFT		
Wire Range (AWG)	1/0	2/0	3/0
A	0.764"	0.764"	0.764"
ΦB	0.433"	0.465"	0.551"
ΦC	0.559"	0.642"	0.720"
ΦD	0.327"	0.327"	0.327"
E	0.551"	0.630"	0.630"
ΦF	0.984"	1.024"	1.024"
G	0.531"	0.531"	0.531"
H	0.354"	0.354"	0.394"
J	0.157"	0.177"	0.177"
K	0.630"	0.630"	0.630"
L	1.673"	1.673"	1.673"
M	0.709"	0.748"	0.748"
N	0.692"	0.692"	0.692"

** All dimensions in inches*

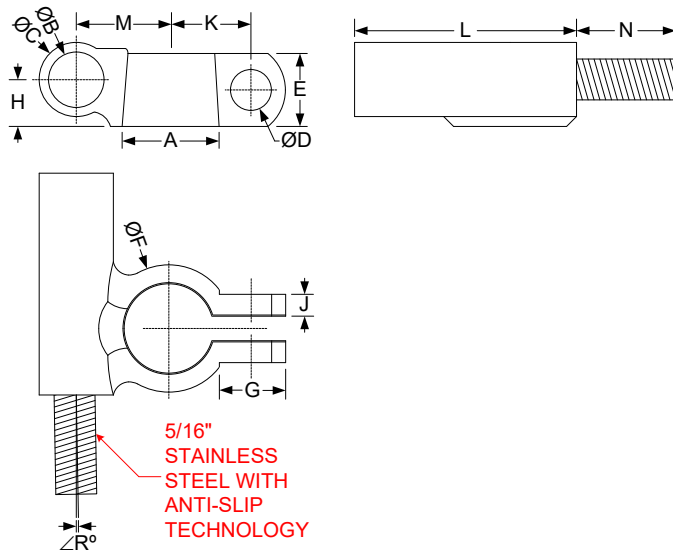




ADD-ON PURE COPPER BATTERY TERMINALS (NEGATIVE RIGHT TYPES)

- RoHS
- Manufactured with pure copper
- Electro tin plated
- High electric conductivity
- Light weight
- High reliability
- Ease of wire insertion with flared end
- Industry standard AWG marked on terminals indicating wire range
- Special designed screws
- Stainless steel with nylon lock nuts included

For Copper Wire only



Product Number	BTS10CN	BTS20CN	BTS30CN
Stud Size	5/16"		
TYPE	NEGATIVE RIGHT		
Wire Range (AWG)	1/0	2/0	3/0
A	0.697"	0.697"	0.697"
ΦB	0.433"	0.465"	0.551"
ΦC	0.559"	0.642"	0.720"
ΦD	0.327"	0.327"	0.327"
E	0.551"	0.630"	0.630"
ΦF	0.945"	0.984"	0.984"
G	0.531"	0.531"	0.531"
H	0.354"	0.354"	0.394"
J	0.157"	0.177"	0.177"
K	0.630"	0.630"	0.630"
L	1.673"	1.673"	1.673"
M	0.709"	0.748"	0.748"
N	0.692"	0.692"	0.692"

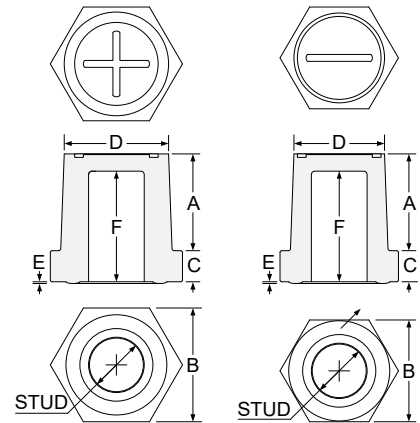
** All dimensions in inches*



PURE COPPER CONVERSION POSTS

- For converting stud type terminals to post type terminals
- Manufactured with pure copper
- Electro tin plated
- High electric conductivity
- High reliability

For Copper Wire only



Product Number	TYPE	STUD	A	B	C	D	E	F
CPS38P	POSITIVE	3/8"	0.669"	0.827"	0.236"	0.689"	0.039"	0.768"
CPS38N	NEGATIVE		0.669"	0.748"	0.236"	0.622"	0.039"	0.768"

** All dimensions in inches*



SKN Products, LLC

TERMINALS

NON-INSULATED TERMINALS

VINYL INSULATED TERMINALS

NYLON INSULATED TERMINALS

HEAT SHRINK INSULATED TERMINALS

SELECTION GUIDE OF SKN TERMINALS

	Ring	Spade	Block Spade	Locking Spade
Non-insulated Terminal (Brazed Seam, Tin Plated)				
Vinyl Insulated Terminal (Butted Seam)				
Nylon Insulated Terminal (Butted Seam) with Brass Sleeves				
Nylon Insulated Terminal (Butted Seam) without Brass Sleeves				
Heat Shrink Insulated Terminal (Brazed Seam)				



**Product Numbers of SKN Non-insulated Ring Terminals
(Brazen Seam, Tin Plated)**

Stud Size	#6		#8	#10	1/4"	5/16"	3/8"	1/2"
Wire Range								
22-18	R2A6X	R2A6	R2A8	R2A10	R2A14	R2A56	R2A38	
16-14	R2B6X	R2B6	R2B8	R2B10	R2B14	R2B56	R2B38	
12-10		R2C6	R2C8	R2C10	R2C14	R2C56	R2C38	R2C12
8				R2E10	R2E14	R2E56	R2E38	R2E12
6				R2F10	R2F14	R2F56	R2F38	R2F12
4				R2G10	R2G14	R2G56	R2G38	R2G12
2					R2H14	R2H56	R2H38	R2H12
1/0					R2J14	R2J56	R2J38	R2J12
2/0						R2K56	R2K38	R2K12
3/0						R2L56	R2L38	R2L12
4/0						R2M56	R2M38	R2M12

**Product Numbers of SKN Non-insulated Spade Terminals
(Brazen Seam, Tin Plated)**

Stud Size	#10
Wire Range	
22-18	S2A10
16-14	S2B10
12-10	S2C10

**Product Numbers of SKN Non-insulated Block Spade Terminals
(Brazen Seam, Tin Plated)**

Stud Size	#6	#8	#10
Wire Range			
22-18	BS2A6	BS2A8	BS2A10
16-14	BS2B6	BS2B8	BS2B10
12-10	BS2C6	BS2C8	BS2C10

Product Numbers of SKN Vinyl Insulated Ring Terminals (Butted Seam)

Insulation Color	Stud Size	#6	#8	#10	1/4"	5/16"	3/8"	1/2"
	Wire Range							
Red	22-18	R4A6	R4A8	R4A10	R4A14	R4A56	R4A38	
Blue	16-14	R4B6	R4B8	R4B10	R4B14	R4B56	R4B38	
Yellow	12-10	R4C6	R4C8	R4C10	R4C14	R4C56	R4C38	R4C12

Product Numbers of SKN Vinyl Insulated Spade Terminals (Butted Seam)

Insulation Color	Stud Size	#10
	Wire Range	
Red	22-18	S4A10
Blue	16-14	S4B10
Yellow	12-10	S4C10

Product Numbers of SKN Vinyl Insulated Block Spade Terminals (Butted Seam)

Insulation Color	Stud Size	#6	#8	#10
	Wire Range			
Red	22-18	BS4A6	BS4A8	BS4A10
Blue	16-14	BS4B6	BS4B8	BS4B10
Yellow	12-10	BS4C6	BS4C8	BS4C10

Product Numbers of SKN Vinyl Insulated Locking Spade Terminals (Butted Seam)

Insulation Color	Stud Size	#6	#8	#10	#14
	Wire Range				
Red	22-18	TLS4A6	TLS4A8	TLS4A10	
Blue	16-14	TLS4B6	TLS4B8	TLS4B10	
Yellow	12-10	TLS4C6	TLS4C8	TLS4C10	TLS4C14



Product Numbers of SKN Nylon Insulated Ring Terminals (Butted Seam)

Brass Sleeve	Insulation Color	Stud Size	#6	#8	#10	1/4"	5/16"	3/8"	1/2"
		Wire Range							
YES	Red	22-18	R6A6	R6A8	R6A10	R6A14	R6A56	R6A38	
	Blue	16-14	R6B6	R6B8	R6B10	R6B14	R6B56	R6B38	
	Yellow	12-10	R6C6	R6C8	R6C10	R6C14	R6C56	R6C38	R6C12

Product Numbers of SKN Nylon Insulated Ring Terminals (Brazen Seam)

Brass Sleeve	Insulation Color	Stud Size	#6	#8	#10	1/4"	5/16"	3/8"	1/2"
		Wire Range							
NO	Red	8			R4E10	R4E14	R4E56	R4E38	R4E12
	Blue	6			R4F10	R4F14	R4F56	R4F38	R4F12

Product Numbers of SKN Nylon Insulated Spade Terminals (Butted Seam)

Brass Sleeve	Insulation Color	Stud Size	#10
		Wire Range	
YES	Red	22-18	S6A10
	Blue	16-14	S6B10
	Yellow	12-10	S6C10

Product Numbers of SKN Nylon Insulated Block Spade Terminals (Butted Seam)

Brass Sleeve	Insulation Color	Stud Size	#6	#8	#10
		Wire Range			
YES	Red	22-18	BS6A6	BS6A8	BS6A10
	Blue	16-14	BS6B6	BS6B8	BS6B10
	Yellow	12-10	BS6C6	BS6C8	BS6C10

Product Numbers of SKN Nylon Insulated Locking Spade Terminals (Butted Seam)

Brass Sleeve	Insulation Color	Stud Size	#6	#8	#10	1/4"
		Wire Range				
YES	Red	22-18	TLS6A6	TLS6A8	TLS6A10	
	Blue	16-14	TLS6B6	TLS6B8	TLS6B10	
	Yellow	12-10	TLS6C6	TLS6C8	TLS6C10	TLS6C14

Product Numbers of Heat Shrink Insulated Ring Terminals (Brazeed Seam)

Insulation Color	Stud Size			
	Wire Range	#6	#8	#10
Red	22-18	R2A6HS	R2A8HS	R2A10HS
Blue	16-14	R2B6HS	R2B8HS	R2B10HS
Yellow	12-10	R2C6HS	R2C8HS	R2C10HS
Red	8			R2E10HS

Insulation Color	Stud Size				
	Wire Range	1/4"	5/16"	3/8"	1/2"
Red	22-18	R2A14HS	R2A56HS	R2A38HS	
Blue	16-14	R2B14HS	R2B56HS	R2B38HS	
Yellow	12-10	R2C14HS	R2C56HS	R2C38HS	R2C12HS
Red	8	R2E14HS	R2E56HS	R2E38HS	R2E12HS

Product Numbers of SKN Heat Shrink Insulated Spade Terminals (Brazeed Seam)

Insulation Color	Stud Size	
	Wire Range	#10
Red	22-18	S2A10HS
Blue	16-14	S2B10HS
Yellow	12-10	S2C10HS

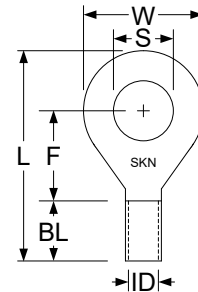
Product Numbers of SKN Heat Shrink Insulated Block Spade Terminals (Brazeed Seam)

Insulation Color	Stud Size			
	Wire Range	#6	#8	#10
Red	22-18	BS2A6HS	BS2A8HS	BS2A10HS
Blue	16-14	BS2B6HS	BS2B8HS	BS2B10HS
Yellow	12-10	BS2C6HS	BS2C8HS	BS2C10HS



**NON-INSULATED RING TERMINALS (BRAZED SEAM, TIN PLATED)
(AWG 22 - 8)**

- UL listed
- Electro tin plated
- Brazed seam
- Manufactured from one piece high conductivity electrolytic copper
- Brazed barrel under crimping pressure without surface open
- Ease of wire insertion with beveled mouth entry
- Maximum temperature 221°F (105°C)
- Maximum voltage 600V



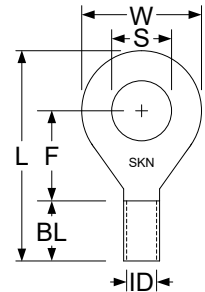
For Copper Wire only

Product Number	Wire Range (AWG)	Stud Size	Stud	Length	Barrel Length	Barrel I.D.	Width		Copper Thickness	Strip Length	
			S	L	BL	ID	W	F			
R2A6X	22-18	#6	0.148"	0.447"	0.260"	0.070"	0.245"	0.145"	0.032"	0.175"	
R2A6				0.600"				0.207"			
R2A8		#8	0.174"	0.714"				0.330"			0.246"
R2A10								0.332"			0.250"
R2A14		1/4"	0.265"	0.878"				0.475"			0.310"
R2A56								0.552"			0.320"
R2A38		3/8"	0.397"	0.950"				0.632"			0.349"
R2B6X	16-14	#6	0.148"	0.447"	0.260"	0.091"	0.245"	0.145"	0.032"	0.175"	
R2B6				0.600"				0.207"			
R2B8		#8	0.174"	0.714"				0.330"			0.246"
R2B10								0.332"			0.250"
R2B14		1/4"	0.265"	0.878"				0.475"			0.310"
R2B56								0.550"			0.320"
R2B38		3/8"	0.397"	0.929"				0.632"			0.349"
R2C6	12-10	#6	0.148"	0.675"	0.260"	0.135"	0.280"	0.240"	0.040"	0.250"	
R2C8				0.725"				0.330"			
R2C10		#10	0.200"	0.960"				0.378"			0.238"
R2C14								0.532"			0.377"
R2C56		5/16"	0.328"	0.963"				0.532"			0.384"
R2C38								0.589"			0.409"
R2C12		1/2"	0.515"	1.210"				0.750"			0.540"
R2E10	8	#10	0.200"	0.326"	0.180"	0.462"	0.379"	0.048"	0.316"		
R2E14							0.953"			0.346"	
R2E56		5/16"	0.265"				0.956"			0.587"	0.447"
R2E38										0.588"	0.429"
R2E12		1/2"	0.397"				1.062"			0.786"	0.550"

** All dimensions in inches*

**NON-INSULATED RING TERMINALS (BRAZED SEAM, TIN PLATED)
(AWG 6 - 4/0)**

- UL listed
- Electro tin plated
- Brazed seam
- Manufactured from one piece high conductivity electrolytic copper
- Brazed barrel under crimping pressure without surface open
- Ease of wire insertion with beveled mouth entry
- Maximum temperature 221°F (105°C)
- Maximum voltage 600V



For Copper Wire only

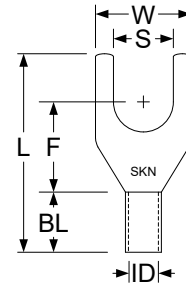
Product Number	Wire Range (AWG)	Stud Size	Stud	Length	Barrel Length	Barrel I.D.	Width		Copper Thickness	Strip Length
			S	L	BL	ID	W	F		
R2F10	6	#10	0.200"	1.148"	0.395"	0.222"	0.463"	0.487"	0.060"	0.385"
R2F14		1/4"	0.265"	1.125"				0.500"		
R2F56		5/16"	0.328"	1.271"			0.577"			
R2F38		3/8"	0.397"				0.552"			
R2F12		1/2"	0.515"	1.411"			0.806"	0.585"		
R2G10	4	#10	0.200"	1.250"	0.477"	0.315"	0.500"	0.490"	0.068"	0.467"
R2G14		1/4"	0.265"	1.320"			0.573"	0.550"		
R2G56		5/16"	0.328"	1.324"			0.647"	0.539"		
R2G38		3/8"	0.397"	1.396"						
R2G12		1/2"	0.515"	1.600"			0.860"	0.675"		
R2H14	2	1/4"	0.265"	1.463"	0.540"	0.370"	0.596"	0.643"	0.072"	0.530"
R2H56		5/16"	0.328"	1.670"			0.850"	0.736"		
R2H38		3/8"	0.397"	1.680"				0.709"		
R2H12		1/2"	0.515"				0.727"			
R2J14	1/0	1/4"	0.252"	1.957"	0.709"	0.449"	0.866"	0.815"	0.071"	0.699"
R2J56		5/16"	0.328"	1.925"	0.722"	0.445"	0.862"	0.855"	0.079"	0.712"
R2J38		3/8"	0.397"					0.853"		
R2J12		1/2"	0.515"				0.828"			
R2K56	2/0	5/16"	0.331"				1.969"	0.760"		
R2K38		3/8"	0.397"	1.980"	1.050"	0.699"				
R2K12		1/2"	0.515"	2.060"	1.610"	0.827"				
R2L56	3/0	5/16"	0.331"	2.134"	0.787"	0.571"	1.063"	0.815"	0.091"	0.777"
R2L38		3/8"	0.397"	2.075"	0.795"	0.571"	1.056"	0.804"		
R2L12		1/2"	0.515"	2.134"			1.057"	0.853"		
R2M56	4/0	5/16"	0.331"	2.189"	0.827"	0.646"	1.122"	0.801"	0.106"	0.817"
R2M38		3/8"	0.397"	2.174"	0.826"	0.650"	1.138"	0.853"		
R2M12		1/2"	0.515"					0.818"		

** All dimensions in inches*



NON-INSULATED SPADE TERMINALS (BRAZED SEAM, TIN PLATED)

- UL listed
- Electro tin plated
- Brazed seam
- Manufactured from one piece high conductivity electrolytic copper
- Brazed barrel under crimping pressure without surface open
- Ease of wire insertion with beveled mouth entry
- Maximum temperature 221°F (105°C)
- Maximum voltage 600V



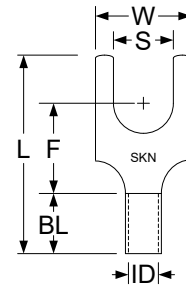
For Copper Wire only

Product Number	Wire Range (AWG)	Stud Size	Stud	Length	Barrel Length	Barrel I.D.	Width	Copper Thickness	Strip Length	
			S	L	BL	ID	W			F
S2A10	22-18	#10	0.200"	0.725"	0.260"	0.070"	0.340"	0.250"	0.032"	0.266"
S2B10	16-14			0.091"						
S2C10	12-10			0.135"						

** All dimensions in inches*

NON-INSULATED BLOCK SPADE TERMINALS (BRAZED SEAM, TIN PLATED)

- UL listed
- Electro tin plated
- Brazed seam
- Manufactured from one piece high conductivity electrolytic copper
- Brazed barrel under crimping pressure without surface open
- Ease of wire insertion with beveled mouth entry
- Maximum temperature 221°F (105°C)
- Maximum voltage 600V



For Copper Wire only

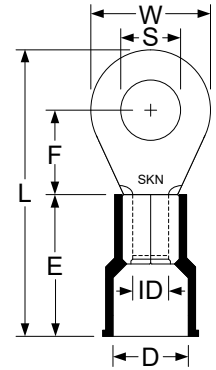
Product Number	Wire Range (AWG)	Stud Size	Stud	Length	Barrel Length	Barrel I.D.	Width	Copper Thickness	Strip Length	
			S	L	BL	ID	W			F
BS2A6	22-18	#6	0.148"	0.660"	0.260"	0.070"	0.250"	0.032"	0.250"	
BS2A8		#8	0.174"				0.290"			0.278"
BS2A10		#10	0.200"				0.300"			0.270"
BS2B6	16-14	#6	0.148"	0.660"	0.260"	0.091"	0.250"	0.032"	0.250"	
BS2B8		#8	0.174"				0.290"			0.278"
BS2B10		#10	0.200"				0.300"			0.270"
BS2C6	12-10	#6	0.148"	0.730"	0.260"	0.135"	0.314"	0.040"	0.250"	
BS2C8		#8	0.174"				0.309"			
BS2C10		#10	0.200"				0.294"			

** All dimensions in inches*

VINYL INSULATED RING TERMINALS (BUTTED SEAM)

- Vinyl insulated
- Manufactured from one piece high conductivity electrolytic copper
- Electro tin plated for copper parts
- Butted seam
- Ease of wire insertion with beveled mouth entry and funnel barrel construction
- Wire range indicated by industry standard color coding
- Maximum temperature 167°F (75°C)
- Maximum voltage 300V

For Copper Wire only



Product Number	Vinyl Color	Wire Range (AWG)	Stud Size	Stud	Length	Barrel Length	Barrel I.D.	Vinyl Barrel	Width		Copper Thickness	Strip Length
				S	L	E	ID	D	W	F		
R4A6	Red	22-18	#6	0.148"	0.752"	0.454"	0.070"	0.140"	0.245"	0.207"	0.032"	0.260"
R4A8			#8	0.174"	0.873"				0.330"	0.246"		
R4A10			#10	0.200"	0.903"				0.332"	0.250"		
R4A14			1/4"	0.265"	1.054"				0.475"	0.310"		
R4A56			5/16"	0.328"	1.132"				0.552"	0.320"		
R4A38			3/8"	0.397"	1.174"				0.632"	0.349"		
R4B6	Blue	16-14	#6	0.148"	0.792"	0.454"	0.091"	0.164"	0.245"	0.207"	0.032"	0.260"
R4B8			#8	0.174"	0.895"				0.330"	0.246"		
R4B10			#10	0.200"	0.979"				0.332"	0.250"		
R4B14			1/4"	0.265"	1.064"				0.475"	0.310"		
R4B56			5/16"	0.328"	1.106"				0.550"	0.320"		
R4B38			3/8"	0.397"	1.186"				0.632"	0.349"		
R4C6	Yellow	12-10	#6	0.148"	0.979"	0.554"	0.135"	0.253"	0.280"	0.240"	0.040"	0.260"
R4C8			#8	0.174"	1.040"				0.330"	0.240"		
R4C10			#10	0.200"	1.019"				0.378"	0.238"		
R4C14			1/4"	0.265"	1.254"				0.532"	0.377"		
R4C56			5/16"	0.328"	1.240"				0.532"	0.384"		
R4C38			3/8"	0.397"	1.270"				0.589"	0.409"		
R4C12			1/2"	0.515"	1.499"				0.750"	0.540"		

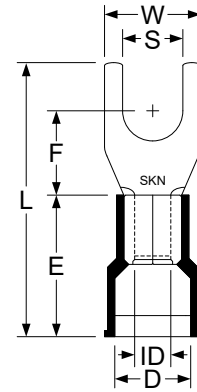
* All dimensions in inches



VINYL INSULATED SPADE TERMINALS (BUTTED SEAM)

- Vinyl insulated
- Manufactured from one piece high conductivity electrolytic copper
- Electro tin plated for copper parts
- Butted seam
- Ease of wire insertion with beveled mouth entry and funnel barrel construction
- Wire range indicated by industry standard color coding
- Maximum temperature 167°F (75°C)
- Maximum voltage 300V

For Copper Wire only



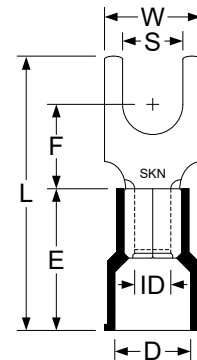
Product Number	Vinyl Color	Wire Range (AWG)	Stud Size	Stud		Barrel Length		Barrel I.D.		Vinyl Barrel		Copper Thickness	Strip Length	
				S	L	E	ID	D	W	F				
S4A10	Red	22-18	#10	0.200"	0.870"	0.454"	0.070"	0.140"	0.340"	0.266"	0.032"	0.260"		
S4B10	Blue	16-14			0.897"								0.091"	0.164"
S4C10	Yellow	12-10			1.000"								0.554"	0.135"

* All dimensions in inches

VINYL INSULATED BLOCK SPADE TERMINALS (BUTTED SEAM)

- Vinyl insulated
- Manufactured from one piece high conductivity electrolytic copper
- Electro tin plated for copper parts
- Butted seam
- Ease of wire insertion with beveled mouth entry and funnel barrel construction
- Wire range indicated by industry standard color coding
- Maximum temperature 167°F (75°C)
- Maximum voltage 300V

For Copper Wire only



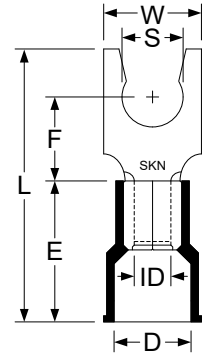
Product Number	Vinyl Color	Wire Range (AWG)	Stud Size	Stud		Barrel Length	Barrel I.D.	Vinyl Barrel	Width		Copper Thickness	Strip Length
				S	L				E	ID		
BS4A6	Red	22-18	#6	0.148"	0.830"	0.454"	0.070"	0.140"	0.250"	0.272"	0.032"	0.260"
BS4A8			#8	0.174"	0.840"				0.290"	0.278"		
BS4A10			#10	0.200"	0.885"				0.300"	0.270"		
BS4B6	Blue	16-14	#6	0.148"	0.870"	0.454"	0.091"	0.164"	0.247"	0.272"	0.032"	0.260"
BS4B8			#8	0.174"	0.850"				0.297"	0.278"		
BS4B10			#10	0.200"	0.855"				0.300"	0.270"		
BS4C6	Yellow	12-10	#6	0.148"	1.025"	0.554"	0.135"	0.253"	0.320"	0.314"	0.040"	0.260"
BS4C8			#8	0.174"	1.030"				0.309"			
BS4C10			#10	0.200"	1.040"				0.294"			

* All dimensions in inches

VINYL INSULATED LOCKING SPADE TERMINALS (BUTTED SEAM)

- Vinyl insulated
- Manufactured from one piece high conductivity electrolytic copper
- Electro tin plated for copper parts
- Butted seam
- Ease of wire insertion with beveled mouth entry and funnel barrel construction
- Wire range indicated by industry standard color coding
- Maximum temperature 167°F (75°C)
- Maximum voltage 300V

For Copper Wire only



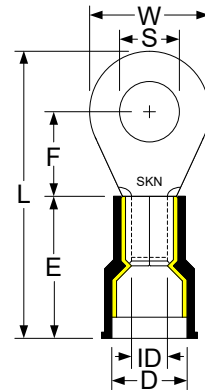
Product Number	Vinyl Color	Wire Range (AWG)	Stud Size	Stud	Length	Barrel Length	Barrel I.D.	Vinyl Barrel	Width		Copper Thickness	Strip Length
				S	L				E	ID		
TLS4A6	Red	22-18	#6	0.148"	0.875"	0.454"	0.070"	0.140"	0.250"	0.210"	0.032"	0.260"
TLS4A8			#8	0.174"					0.296"	0.179"		
TLS4A10			#10	0.200"					0.879"	0.316"		
TLS4B6	Blue	16-14	#6	0.148"	0.840"	0.454"	0.093"	0.164"	0.243"	0.210"	0.032"	0.260"
TLS4B8			#8	0.174"	0.873"				0.302"	0.179"		
TLS4B10			#10	0.200"	0.880"				0.319"	0.167"		
TLS4C6	Yellow	12-10	#6	0.148"	1.006"	0.554"	0.135"	0.253"	0.235"	0.190"	0.040"	0.260"
TLS4C8			#8	0.174"	1.022"				0.319"	0.164"		
TLS4C10			#10	0.200"					0.175"			
TLS4C14			1/4"	0.255"	1.197"				0.429"	0.274"		

** All dimensions in inches*



**NYLON INSULATED RING TERMINALS
(BUTTED SEAM) WITH BRASS SLEEVES**

- Nylon insulated
- Manufactured from one piece high conductivity electrolytic copper
- Electro tin plated for copper parts
- Brass sleeves securely attached to terminal barrel
- Butted seam
- Ease of wire insertion with beveled mouth entry and funnel barrel construction
- Seamless brass sleeves attached to terminal barrel
- Wire range indicated by industry standard color coding
- Maximum temperature 211°F (105°C)
- Maximum voltage 600V



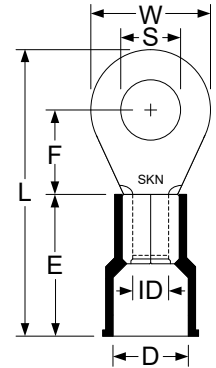
For Copper Wire only

Product Number	Nylon Color	Wire Range (AWG)	Stud Size	Stud	Length	Barrel Length	Barrel I.D.	Nylon Barrel	Width		Copper Thickness	Strip Length
				S	L	E	ID	D	W	F		
R6A6	Red	22-18	#6	0.148"	0.752"	0.510"	0.070"	0.180"	0.245"	0.207"	0.032"	0.260"
R6A8			#8	0.174"	0.873"				0.330"	0.246"		
R6A10			#10	0.200"	0.903"				0.332"	0.250"		
R6A14			1/4"	0.265"	1.054"				0.475"	0.310"		
R6A56			5/16"	0.328"	1.132"				0.552"	0.320"		
R6A38			3/8"	0.397"	1.174"				0.632"	0.349"		
R6B6	Blue	16-14	#6	0.148"	0.792"	0.510"	0.091"	0.210"	0.245"	0.207"	0.032"	0.260"
R6B8			#8	0.174"	0.895"				0.330"	0.246"		
R6B10			#10	0.200"	0.895"				0.332"	0.250"		
R6B14			1/4"	0.265"	1.064"				0.475"	0.310"		
R6B56			5/16"	0.328"	1.106"				0.550"	0.320"		
R6B38			3/8"	0.397"	1.186"				0.632"	0.349"		
R6C6	Yellow	12-10	#6	0.148"	0.979"	0.550"	0.135"	0.285"	0.280"	0.240"	0.040"	0.260"
R6C8			#8	0.174"	1.040"				0.330"	0.238"		
R6C10			#10	0.20"	1.019"				0.378"	0.238"		
R6C14			1/4"	0.265"	1.254"				0.532"	0.377"		
R6C56			5/16"	0.328"	1.240"				0.532"	0.384"		
R6C38			3/8"	0.397"	1.270"				0.589"	0.409"		
R6C12			1/2"	0.515"	1.499"				0.750"	0.540"		

* All dimensions in inches

**NYLON INSULATED RING TERMINALS
(BRAZED SEAM) WITHOUT BRASS SLEEVES**

- Nylon insulated
- Manufactured from one piece high conductivity electrolytic copper
- Electro tin plated for copper parts
- Brazed seam
- Ease of wire insertion with beveled mouth entry and funnel barrel construction
- Wire range indicated by industry standard color coding
- Maximum temperature 211°F (105°C)
- Maximum voltage 600V



For Copper Wire only

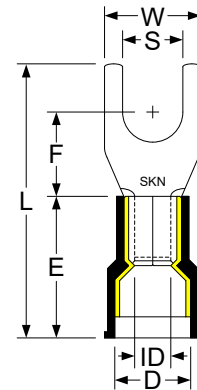
Product Number	Nylon Color	Wire Range (AWG)	Stud Size	Stud	Length	Barrel Length	Barrel I.D.	Nylon Barrel	Width		Copper Thickness	Strip Length
				S	L	E	ID	D	W	F		
R4E10	Red	8	#10	0.200"	1.270"	0.634"	0.180"	0.346"	0.462"	0.379"	0.048"	0.326"
R4E14			1/4"	0.265"	1.275"					0.346"		
R4E56			5/16"	0.328"	1.368"					0.447"		
R4E38			3/8"	0.397"	1.398"					0.429"		
R4E12			1/2"	0.515"	1.620"					0.550"		
R4F10	Blue	6	#10	0.200"	1.480"	0.753"	0.222"	0.463"	0.395"	0.487"	0.057"	0.450"
R4F14			1/4"	0.265"	1.480"					0.500"		
R4F56			5/16"	0.328"	1.625"					0.577"		
R4F38			3/8"	0.397"	1.625"					0.552"		
R4F12			1/2"	0.515"	1.733"					0.585"		

** All dimensions in inches*



**NYLON INSULATED SPADE TERMINALS
(BUTTED SEAM) WITH BRASS SLEEVES**

- Nylon insulated
- Manufactured from one piece high conductivity electrolytic copper
- Electro tin plated for copper parts
- Brass sleeves securely attached to terminal barrel
- Butted seam
- Ease of wire insertion with beveled mouth entry and funnel barrel construction
- Seamless brass sleeves attached to terminal barrel
- Wire range indicated by industry standard color coding
- Maximum temperature 211°F (105°C)
- Maximum voltage 600V



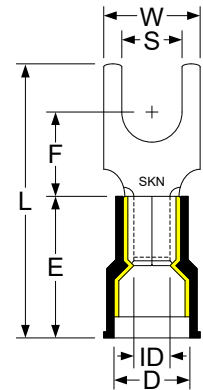
For Copper Wire only

Product Number	Nylon Color	Wire Range (AWG)	Stud Size	Stud	Length	Barrel Length	Barrel I.D.	Nylon Barrel	Width	Copper Thickness	Strip Length
				S	L	E	ID	D	W		
S6A10	Red	22-18	#10	0.200"	0.940"	0.510"	0.070"	0.180"	0.340"	0.266"	0.260"
S6B10	Blue	16-14					0.091"	0.210"			
S6C10	Yellow	12-10					0.135"	0.285"			

** All dimensions in inches*

NYLON INSULATED BLOCK SPADE TERMINALS (BUTTED SEAM) WITH BRASS SLEEVES

- Nylon insulated
- Manufactured from one piece high conductivity electrolytic copper
- Electro tin plated for copper parts
- Brass sleeves securely attached to terminal barrel
- Butted seam
- Ease of wire insertion with beveled mouth entry and funnel barrel construction
- Seamless brass sleeves attached to terminal barrel
- Wire range indicated by industry standard color coding
- Maximum temperature 211°F (105°C)
- Maximum voltage 600V



For Copper Wire only

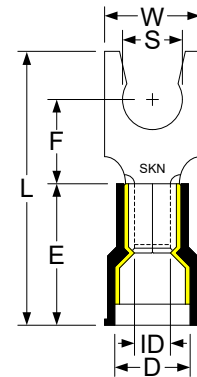
Product Number	Nylon Color	Wire Range (AWG)	Stud Size	Stud	Length	Barrel Length	Barrel I.D.	Nylon Barrel	Width		Copper Thickness	Strip Length
				S	L	E	ID	D	W	F		
BS6A6	Red	22-18	#6	0.148"	0.870"	0.510"	0.070"	0.180"	0.250"	0.272"	0.032"	0.260"
BS6A8			#8	0.174"	0.880"				0.290"	0.278"		
BS6A10			#10	0.200"	0.300"				0.270"			
BS6B6	Blue	16-14	#6	0.148"	0.890"	0.501"	0.091"	0.210"	0.247"	0.272"	0.032"	0.260"
BS6B8			#8	0.174"					0.297"	0.278"		
BS6B10			#10	0.200"					0.300"	0.270"		
BS6C6	Yellow	12-10	#6	0.148"	0.987"	0.550"	0.135"	0.285"	0.320"	0.314"	0.040"	0.260"
BS6C8			#8	0.174"	1.000"				0.309"			
BS6C10			#10	0.200"	0.294"							

** All dimensions in inches*



**NYLON INSULATED LOCKING SPADE TERMINALS
(BUTTED SEAM) WITH BRASS SLEEVES**

- Nylon insulated
- Manufactured from one piece high conductivity electrolytic copper
- Electro tin plated for copper parts
- Brass sleeves securely attached to terminal barrel
- Butted seam
- Ease of wire insertion with beveled mouth entry and funnel barrel construction
- Seamless brass sleeves attached to terminal barrel
- Wire range indicated by industry standard color coding
- Maximum temperature 211°F (105°C)
- Maximum voltage 600V



For Copper Wire only

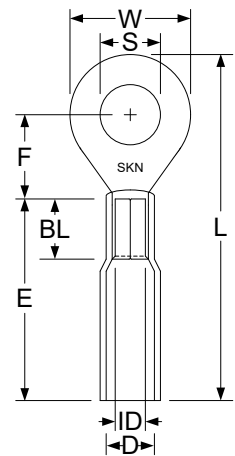
Product Number	Nylon Color	Wire Range (AWG)	Stud Size	Stud	Length	Barrel Length	Barrel I.D.	Nylon Barrel	Width		Copper Thickness	Strip Length
				S	L	E	ID	D	W	F		
TLS6A6	Red	22-18	#6	0.148"	0.920"	0.510"	0.070"	0.180"	0.250"	0.210"	0.032"	0.260"
TLS6A8			#8	0.174"					0.296"	0.179"		
TLS6A10			#10	0.200"	0.930"				0.316"	0.176"		
TLS6B6	Blue	16-14	#6	0.148"	0.880"	0.510"	0.093"	0.210"	0.243"	0.210"	0.032"	0.260"
TLS6B8			#8	0.174"	0.910"				0.302"	0.179"		
TLS6B10			#10	0.200"	0.940"				0.319"	0.167"		
TLS6C6	Yellow	12-10	#6	0.148"	0.988"	0.550"	0.135"	0.285"	0.235"	0.190"	0.040"	0.260"
TLS6C8			#8	0.174"	0.983"				0.319"	0.164"		
TLS6C10			#10	0.200"	0.983"				0.319"	0.175"		
TLS6C14			#14	0.255"	1.149"				0.429"	0.274"		

** All dimensions in inches*

HEAT SHRINK INSULATED RING TERMINALS (BRAZED SEAM) (AWG 22 - 10)

- UL listed
- Translucent dual wall polyolefin shrinkable tubing insulated
- Manufactured from one piece high conductivity electrolytic copper
- Electro tin plated for copper parts
- Brazed seam
- Ease of wire insertion with beveled mouth entry
- Wire range indicated by industry standard color coding
- Shrink ratio 3:1
- Minimum shrink temperature 230°F (110°C)
- Temperature rating -67°F (-55°C) to 221°F (105°C)
- Maximum voltage 600V

For Copper Wire only



Product Number	Heat Shrink Color	Wire Range (AWG)	Stud Size	Stud	Length	Barrel Length		Barrel I.D.	Heat Shrink Barrel	Width		Copper Thickness	Strip Length
				S	L	E	BL	D	ID	W	F		
R2A6HS	Red	22-18	#6	0.148"	1.090"	0.850"	0.260"	0.070"	0.200"	0.245"	0.207"	0.260"	0.032"
R2A8HS			#8	0.174"	1.180"					0.330"	0.246"		
R2A10HS			#10	0.200"	1.190"					0.332"	0.250"		
R2A14HS			1/4"	0.265"	1.350"					0.475"	0.310"		
R2A56HS			5/16"	0.328"	1.360"					0.552"	0.320"		
R2A38HS			3/8"	0.397"	1.450"					0.632"	0.349"		
R2B6HS	Blue	16-14	#6	0.148"	1.090"	0.850"	0.260"	0.091"	0.230"	0.245"	0.207"	0.260"	0.032"
R2B8HS			#8	0.174"	1.190"					0.330"	0.246"		
R2B10HS			#10	0.200"	1.190"					0.332"	0.250"		
R2B14HS			1/4"	0.265"	1.350"					0.475"	0.310"		
R2B56HS			5/16"	0.328"	1.360"					0.550"	0.320"		
R2B38HS			3/8"	0.397"	1.450"					0.632"	0.349"		
R2C6HS	Yellow	12-10	#6	0.148"	1.100"	0.850"	0.260"	0.135"	0.290"	0.280"	0.240"	0.260"	0.040"
R2C8HS			#8	0.174"	1.170"					0.330"	0.240"		
R2C10HS			#10	0.200"	1.190"					0.378"	0.238"		
R2C14HS			1/4"	0.265"	1.350"					0.532"	0.377"		
R2C56HS			5/16"	0.328"	1.380"					0.589"	0.384"		
R2C38HS			3/8"	0.397"	1.450"					0.589"	0.409"		
R2C12HS			1/2"	0.515"	1.660"					0.750"	0.540"		

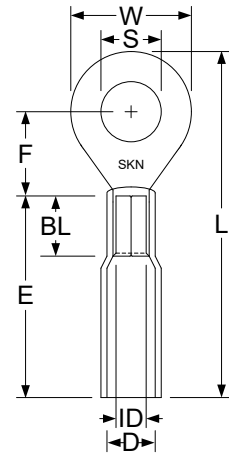
* All dimensions in inches



**HEAT SHRINK INSULATED RING TERMINALS
(BRAZED SEAM) (AWG 8)**

- Translucent dual wall polyolefin shrinkable tubing insulated
- Manufactured from one piece high conductivity electrolytic copper
- Electro tin plated for copper parts
- Brazed seam
- Ease of wire insertion with beveled mouth entry
- Wire range indicated by industry standard color coding
- Shrink ratio 3:1
- Minimum shrink temperature 356°F (180°C)
- Temperature rating -58°F (-50°C) to 221°F (105°C)
- Maximum voltage 600V

For Copper Wire only

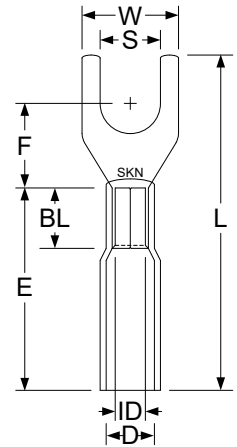


Product Number	Heat Shrink Color	Wire Range (AWG)	Stud Size	Stud		Barrel Length		Barrel I.D.	Heat Shrink Barrel	Width		Copper Thickness	Strip Length
				S	L	E	BL			W	F		
R2E10HS	Red	8	#10	0.209"	1.575"	1.142"	0.337"	0.177"	0.323"	0.472"	0.366"	0.047"	0.354"
R2E14HS			1/4"	0.252"									
R2E56HS			5/16"	0.331"	1.772"					0.591"	0.543"		
R2E38HS			3/8"	0.413"									
R2E12HS			1/2"	0.512"	1.929"					0.787"	0.591"		

** All dimensions in inches*

HEAT SHRINK INSULATED SPADE TERMINALS (BRAZED SEAM)

- UL listed
- Translucent dual wall polyolefin shrinkable tubing insulated
- Manufactured from one piece high conductivity electrolytic copper
- Electro tin plated for copper parts
- Brazed seam
- Ease of wire insertion with beveled mouth entry
- Wire range indicated by industry standard color coding
- Shrink ratio 3:1
- Minimum shrink temperature 230°F (110°C)
- Temperature rating -67°F (-55°C) to 221°F (105°C)
- Maximum voltage 600V



For Copper Wire only

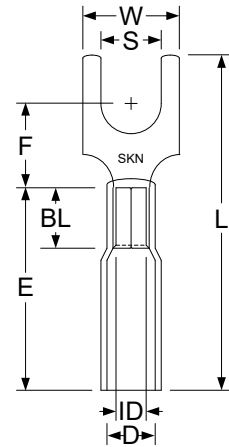
Product Number	Heat Shrink Color	Wire Range (AWG)	Stud Size	Stud		Barrel Length		Barrel I.D.		Heat Shrink Barrel		Copper Thickness	Strip Length
				S	L	E	BL	ID	D	W	F		
S2A10HS	Red	22-18	#10	0.200"	1.210"	0.850"	0.260"	0.070"	0.250"	0.340"	0.250"	0.250"	0.272"
S2B10HS	Blue	16-14			1.170"					0.340"		0.290"	
S2C10HS	Yellow	12-10			0.340"					0.300"		0.270"	

** All dimensions in inches*



HEAT SHRINK INSULATED BLOCK SPADE TERMINALS (BRAZED SEAM)

- UL listed
- Translucent dual wall polyolefin shrinkable tubing insulated
- Manufactured from one piece high conductivity electrolytic copper
- Electro tin plated for copper parts
- Brazed seam
- Ease of wire insertion with beveled mouth entry
- Wire range indicated by industry standard color coding
- Shrink ratio 3:1
- Minimum shrink temperature 230°F (110°C)
- Temperature rating -67°F (-55°C) to 221°F (105°C)
- Maximum voltage 600V



For Copper Wire only

Product Number	Heat Shrink Color	Wire Range (AWG)	Stud Size	Stud		Barrel Length		Barrel I.D.		Heat Shrink Barrel		Copper Thick-ness		Strip Length
				S	L	E	BL	ID	D	W	F			
BS2A6HS	Red	22-18	#6	0.148"	1.150"	0.850"	0.260"	0.070"	0.200"	0.250"	0.272"	0.260"	0.032"	
BS2A8HS			#8	0.174"						0.290"	0.278"			
BS2A10HS			#10	0.200"						0.300"	0.270"			
BS2B6HS	Blue	16-14	#6	0.148"	1.150"	0.850"	0.260"	0.091"	0.230"	0.250"	0.272"	0.260"	0.032"	
BS2B8HS			#8	0.174"						0.290"	0.278"			
BS2B10HS			#10	0.200"						1.170"	0.300"			0.270"
BS2C6HS	Yellow	12-10	#6	0.148"	1.180"	0.850"	0.260"	0.135"	0.290"	0.320"	0.314"	0.260"	0.040"	
BS2C8HS			#8	0.174"						0.309"				
BS2C10HS			#10	0.200"						1.190"	0.294"			

** All dimensions in inches*

CONNECTORS

WIRE NUT CONNECTORS

WING WIRE NUT CONNECTORS

CLOSED END CONNECTORS

NON-INSULATED BUTT CONNECTORS

VINYL INSULATED BUTT CONNECTORS

NYLON INSULATED BUTT CONNECTORS

HEAT SHRINK INSULATED BUTT CONNECTORS

HEAT SHRINK INSULATED SOLDER BUTT CONNECTORS

NON-INSULATED STEP DOWN BUTT CONNECTORS

VINYL INSULATED STEP DOWN BUTT CONNECTORS

**HEAT SHRINK INSULATED
STEP DOWN BUTT CONNECTORS**

QUICK SPLICE CONNECTORS



SELECTION GUIDE OF SKN CONNECTORS



Wire Nut Connectors



Wing Wire Nut Connectors



Closed End Connectors



Non-insulated Butt Connectors (Seamless)



Vinyl Insulated Butt Connectors (Butted and Brazed Seam)



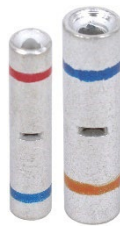
Nylon Insulated Butt Connectors (Seamless)



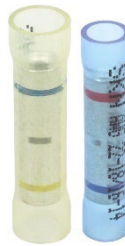
Heat Shrink Insulated Butt Connectors (Seamless)



Heat Shrink Insulated Solder Butt Connectors



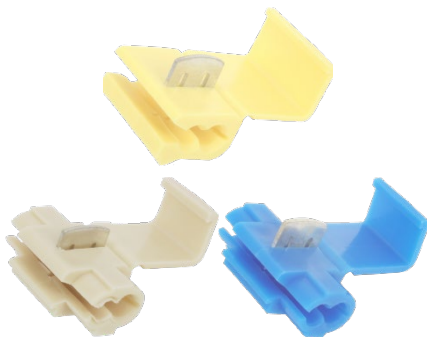
Non-insulated Step Down Butt Connectors (Seamless)



Vinyl Insulated Step Down Butt Connectors (Seamless)



Heat Shrink Insulated Step Down Butt Connectors (Seamless)



Quick Splice Connectors

Product Numbers of SKN Wire Nut Connectors

Product Number		Insulation Color	Wire Range (AWG)	Minimum Capacity (AWG)	Maximum Capacity (AWG)
300V	600V				
WN71		Grey	22-16	2*22	3*16
WN72		Blue	22-14	1*18 & 1*20	4*16 & 1*20
	WN73	Orange		1*18 & 1*20	4*16 & 1*20
	WN74	Yellow	18-12	2*18	4*14 & 1*18
	WN76	Red	18-10	2*14	2*10 & 2*12

Product Numbers of SKN Wing Wire Nut Connectors

Product Number	Insulation Color	Wire Range (AWG)	Minimum Capacity (AWG)	Maximum Capacity (AWG)
600V				
WNW51	Yellow	22-14	2*16	4*14 & 1*18
WNW52	Red		2*14	4*12

Product Numbers of SKN Closed End Connectors

Product Number	Wire Range (AWG)	Maximum Temperature
CCEC8A	22-16	221°F (105°C)
CCEC8B	22-14	
CCEC8C	22-10	
CCEC8E	22-8	

Product Numbers of SKN Non-insulated Butt Connectors (Seamless Tube, Tin Plated)

Product Number	Wire Range (AWG)	Maximum Temperature
B7A	22-18	221°F (105°C)
B7B	16-14	
B7C	12-10	
B7E	8	
B7F	6	
B7G	4	
B7H	2	302°F (150°C)
B7J	1/0	
B7K	2/0	347°F (175°C)
B7L	3/0	
B7M	4/0	



Product Numbers of SKN Vinyl Insulated Butt Connectors (Butted Seam)

Product Number	Insulation Color	Wire Range (AWG)	Maximum Temperature
B4A	Red	22-18	167°F (75°C)
B4B	Blue	16-14	
B4C	Yellow	12-10	

Product Numbers of SKN Vinyl Insulated Butt Connectors (Brazed Seam)

Product Number	Insulation Color	Wire Range (AWG)	Maximum Temperature
B4E	Red	8	221°F (105°C)
B4F	Blue	6	
B4G	Yellow	4	

Product Numbers of SKN Nylon Insulated Butt Connectors (Seamless Tube)

Product Number	Insulation Color	Wire Range (AWG)	Maximum Temperature
B8AL	Red	22-18	221°F (105°C)
B8BL	Blue	16-14	
B8CL	Yellow	12-10	

Product Numbers of SKN Heat Shrink Insulated Butt Connectors (Seamless Tube)

Product Number	Insulation Color	Wire Range (AWG)	Maximum Temperature
B8SHS	White	26-24	221°F (105°C)
B8AHS	Red	22-18	
B8BHS	Blue	16-14	
B8CHS	Yellow	12-10	
B8EHS	Red	8	

Product Numbers of SKN Heat Shrink Insulated Solder Butt Connectors

Product Number	Insulation Color	Wire Range (AWG)	Maximum Temperature
B8SSHS	White	26-24	257°F (125°C)
B8ASHS	Red	22-18	
B8BSHS	Blue	16-14	
B8CSHS	Yellow	12-10	

Product Numbers of SKN Non-insulated Seamless Tube Step Down Butt Connectors

Product Number	Wire Range (AWG)	Maximum Temperature
B7AB	16-14 / 22-18	221°F (105°C)
B7BC	12-10 / 16-14	

Product Numbers of SKN Vinyl Insulated Seamless Tube Step Down Butt Connectors

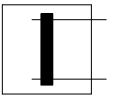
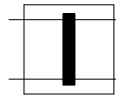
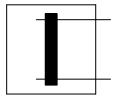
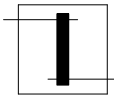
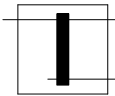
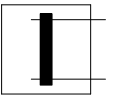
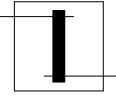
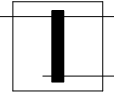
Product Number	Insulation Color	Wire Range (AWG)	Maximum Temperature
B4AB	Red	16-14 / 22-18	221°F (105°C)
B4BC	Blue	12-10 / 16-14	

Product Numbers of SKN Heat Shrink Insulated Seamless Tube Step Down Butt Connectors

Product Number	Insulation Color	Wire Range (AWG)	Maximum Temperature
B8ABHS	Red	16-14 / 22-18	221°F (105°C)
B8BCHS	Blue	12-10 / 16-14	

Product Numbers of SKN Quick Splice Connectors

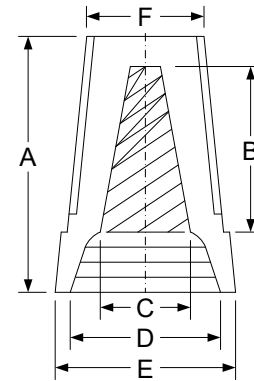
Product Number	Vinyl Color	Wire Range (AWG)	Wire Stop
SL14T	Beige	18-14	NO
SL14T6	Blue		YES
SLYT	Yellow	12-10	YES

Connection							
SL14T		SL14T6			SLYT		
							
Pigtail	Inline	Pigtail	Inline	Tap	Pigtail	Inline	Tap



WIRE NUT CONNECTORS

- UL listed
- Polyvinyl insulated
- Steel plated on wire spring insert material
- Ease of wire insertion with threaded entry shell
- Deep and wide skirt for maximum dielectric protection
- Ease of gripping with wire spring creating its own threads
- Wire range indicated by industry standard color coding
- Maximum temperature 221°F (105°C)
- Maximum voltage 300V and 600V, respectively



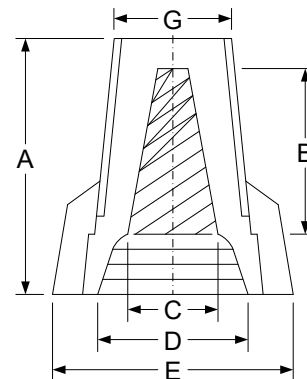
For Copper Wire only

Product Number	Vinyl Color	Wire Range (AWG)	Min. Capacity (AWG)	Max. Capacity (AWG)	Voltage Rating	A	B	C	D	E	F	Strip Length
WN71	Grey	22-16	2*22	3*16	300V	0.593"	0.340"	0.091"	0.254"	0.350"	0.231"	0.500"
WN72	Blue	22-14	1*18 & 1*20	4*16 & 1*20		0.694"	0.430"	0.112"	0.276"	0.387"	0.276"	
WN73	Orange				600V	0.862"	0.479"	0.127"	0.378"	0.492"	0.342"	
WN74	Yellow	18-12	2*18	4*14 & 1*18	0.956"	0.492"	0.180"	0.426"	0.544"	0.396"		
WN76	Red	18-10	2*14	2*10 & 2*12	1.022"	0.566"	0.210"	0.513"	0.628"	0.455"	0.750"	

* All dimensions in inches

WING WIRE NUT CONNECTORS

- UL listed
- Polyvinyl insulated
- Steel plated on wire spring insert material
- Ease of wire insertion with threaded entry shell
- Deep and wide skirt for maximum dielectric protection
- Ease of gripping with wire spring creating its own threads
- Wire range indicated by industry standard color coding
- Maximum temperature 221°F (105°C)
- Maximum voltage 600V



For Copper Wire only

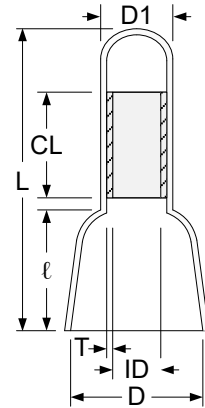
Product Number	Vinyl Color	Wire Range (AWG)	Min. Capacity (AWG)	Max. Capacity (AWG)	Voltage Rating	A	B	C	D	E	F	Strip Length
WNW51	Yellow	22-14	2*16	4*14 & 1*18	600V	1.000"	0.569"	0.236"	0.380"	0.686"	0.342"	0.500"
WNW52	Red		2*14	4*12		1.207"	0.735"	0.334"	0.492"	0.880"	0.367"	0.750"

* All dimensions in inches

CLOSED END CONNECTORS

- UL listed
- RoHS
- Nylon insulated
- Tin plated copper sleeves inserted
- Maximum temperature 221°F (105°C)
- Maximum voltage 600V

For Copper Wire only



Product Number	Wire Range (AWG)	Voltage Rating	ID	D	D1	L	ℓ	CL	T
CCEC8A	22-16	600V	0.102"	0.307"	0.201"	0.760"	0.299"	0.268"	0.015"
CCEC8B	22-14		0.130"	0.311"	0.220"	0.795"	0.335"	0.268"	0.013"
CCEC8C	22-10		0.169"	0.413"	0.283"	0.972"	0.441"	0.307"	0.024"
CCEC8E	22-8		0.205"	0.480"	0.362"	1.075"	0.512"	0.346"	0.033"

** All dimensions in inches*

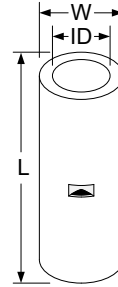




NON-INSULATED BUTT CONNECTORS (SEAMLESS TUBE)

- UL listed
- Electro tin plated
- Manufactured from electrolytic copper seamless tube
- Ease of wire insertion with chamfered barrel
- Wire stop for wire positioning built on the middle of the butt connectors
- Maximum temperature 221°F (105°C), 302°F (150°C) and 347°F (175°C), respectively
- Maximum voltage 600V

For Copper Wire only



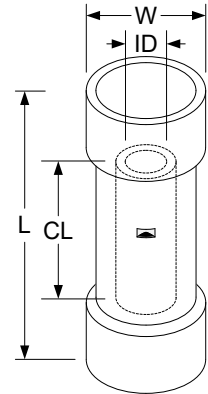
Product Number	Wire Range (AWG)	Max. Temp.	Length	Barrel I.D.	Width	Barrel Length	Funnel Barrel Width	Strip Length	Copper Thickness	Wire Insulation diameter
			L	ID	W					Φ
B7A	22-18	221°F (105°C)	0.618"	0.063"	0.126"	0.282"	0.070"	0.282"	0.032"	0.025" - 0.040"
B7B	16-14		0.664"	0.094"	0.157"	0.305"	0.100"	0.305"		0.051" - 0.064"
B7C	12-10		0.827"	0.133"	0.212"	0.386"	0.141"	0.386"	0.039"	0.081" - 0.102"
B7E	8		0.830"	0.182"	0.276"	0.388"	0.190"	0.388"	0.047"	0.128" - 0.144"
B7F	6		1.022"	0.236"	0.350"	0.481"	0.246"	0.481"	0.057"	0.162" - 0.182"
B7G	4	302°F (150°C)	1.147"	0.292"	0.437"	0.537"	0.303"	0.537"	0.073"	0.204"
B7H	2		1.260"	0.367"	0.516"	0.593"	0.378"	0.593"		0.258"
B7J	1/0		1.423"	0.448"	0.602"	0.675"	0.459"	0.675"	0.077"	0.324"
B7K	2/0	347°F (175°C)	1.463"	0.524"	0.688"	0.694"	0.534"	0.694"	0.082"	0.364"
B7L	3/0		1.487"	0.562"	0.757"	0.706"	0.572"	0.706"	0.098"	0.409"
B7M	4/0		1.560"	0.649"	0.865"	0.743"	0.662"	0.743"	0.108"	0.460"

** All dimensions in inches*



VINYL INSULATED BUTT CONNECTORS

- Polyvinyl insulated
- Manufactured from electrolytic copper
- Electro tin plated for copper parts
- Butted seam (22 to 10 ga)
- Brazed seam (8 through 4 ga)
- Ease of wire insertion with beveled mouth entry and flared barrel mouth
- Wire stop for wire positioning built on the middle of the butt connectors
- Wire range indicated by industry standard color coding
- Maximum temperature 167°F (75°C) and 221°F (105°C), respectively
- Maximum voltage 300V



For Copper Wire only

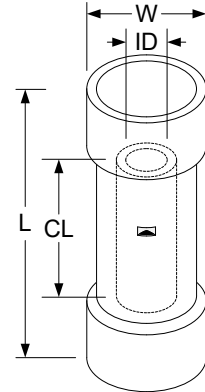
Product Number	Vinyl Color	Seaming	Wire Range (AWG)	Max. Temp.	Copper Length	Barrel I.D.	Vinyl Length	Vinyl Width	Barrel Length	Copper Thickness	Strip Length	
					CL	ID	L	W				
B4A	Red	Butted Seam	22-18	167°F (75°C)	0.618"	0.063"	1.040"	0.173"	0.282"	0.032"	0.250"	
B4B	Blue		16-14		0.664"	0.094"	0.984"	0.185"	0.305"			
B4C	Yellow		12-10		0.566"	0.133"	1.050"	0.268"	0.386"			0.039"
B4E	Red	Brazed Seam	8	221°F (105°C)	0.830"	0.182"	1.644"	0.320"	0.388"	0.047"	0.500"	
B4F	Blue		6		1.022"	0.236"	1.775"	0.386"	0.481"			0.057"
B4G	Yellow		4		1.142"	0.307"	2.067"	0.614"	0.512"			0.069"

** All dimensions in inches*



NYLON INSULATED BUTT CONNECTORS (SEAMLESS TUBE)

- UL listed
- Nylon insulated
- Manufactured from electrolytic copper seamless tube
- Electro tin plated for copper parts
- Ease of wire insertion with chamfered barrel and funnel barrel construction
- Wire stop for wire positioning built on the middle of the butt connectors
- Wire range indicated by industry standard color coding
- Maximum temperature 221°F (105°C)
- Maximum voltage 600V



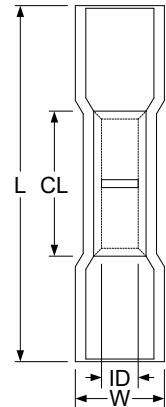
For Copper Wire only

Product Number	Nylon Color	Wire Range (AWG)	Max. Temp.	Copper Length	Barrel I.D.	Nylon Length	Nylon Width	Barrel Length	Funnel Barrel Width	Copper Thickness	Strip Length
				CL	ID	L	W				
B8AL	Red	22-18	221°F (105°C)	0.618"	0.063"	1.050"	0.146"	0.282"	0.070"	0.032"	0.250"
B8BL	Blue	16-14		0.664"	0.094"		0.163"	0.305"	0.100"		
B8CL	Yellow	12-10		0.827"	0.133"	1.250"	0.240"	0.386"	0.141"		

** All dimensions in inches*

HEAT SHRINK INSULATED BUTT CONNECTORS (SEAMLESS TUBE)

- UL listed
- Translucent dual wall polyolefin shrinkable tubing with meltable liner insulated
- Manufactured from electrolytic copper seamless tube
- Electro tin plated for copper parts
- Ease of wire insertion with chamfered barrel
- Wire stop for wire positioning built on the middle of the butt connectors
- Wire range indicated by industry standard color coding
- Shrink ratio 3:1
- Temperature rating -67°F (-55°C) to 221°F (105°C)
- Minimum shrink temperature 230°F (110°C)
- Maximum voltage 600V



For Copper Wire only

Product Number	Heat Shrink Color	Wire Range (AWG)	Maximum Temperature	Copper Length	Barrel I.D.	Heat Shrink Length	Heat Shrink Width	Barrel Length	Copper Thickness	Strip Length
				CL	ID	L	W			
B8SHS	White	26-24	221°F (105°C)	0.472"	0.051"	1.138"	0.183"	0.211"	0.016"	0.211"
B8AHS	Red	22-18		0.618"	0.063"	1.417"	0.231"	0.282"	0.031"	
B8BHS	Blue	16-14		0.664"	0.094"	1.587"	0.243"	0.305"	0.032"	0.250"
B8CHS	Yellow	12-10		0.827"	0.133"	1.882"	0.313"	0.386"	0.039"	
B8EHS	Red	8		0.830"	0.181"	1.929"	0.337"	0.388"	0.047"	

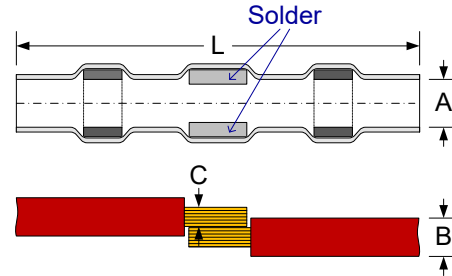
** All dimensions in inches*





HEAT SHRINK INSULATED SOLDER BUTT CONNECTORS

- Translucent sleeves providing visual inspection
- Waterproof for wiring splices
- Ease of soldering process
- Wire range indicated by industry standard color coding
- Shrink ratio 2:1
- Maximum temperature 257°F (125°C)
- Minimum shrink temperature 284°F (140°C)
- Maximum voltage 600V



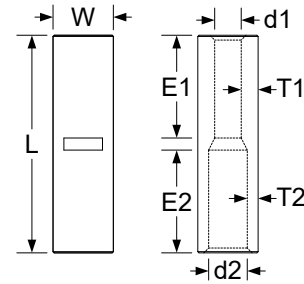
For Copper Wire only

Product Number	Heat Shrink Color	Wire Range (AWG)	Maximum Temperature	Heat Shrink Length	Heat Shrink I.D.	Wire Dimensions		
				L	A	B Min	B Max / C Max	C Min
B8SSHS	White	26-24	257°F (125°C)	1.024"	0.067"	0.016"	0.067"	0.030"
B8ASHS	Red	22-18		0.106"	0.051"	0.106"	0.047"	
B8BSHS	Blue	16-14		1.575"	0.177"	0.071"	0.177"	0.079"
B8CSHS	Yellow	12-10		0.236"	0.110"	0.236"	0.134"	

** All dimensions in inches*

NON-INSULATED STEP DOWN BUTT CONNECTORS

- Designed for secure and reliable connection of 2 wires with different sizes
- Electro tin plated
- Manufactured from electrolytic copper seamless tube
- Ease of wire insertion with chamfered barrel
- Wire stop for wire positioning built on the middle of the butt connectors
- Wire range indicated by industry stand color coding
- Maximum temperature 221°F (105°C)
- Maximum voltage 600V



For Copper Wire only

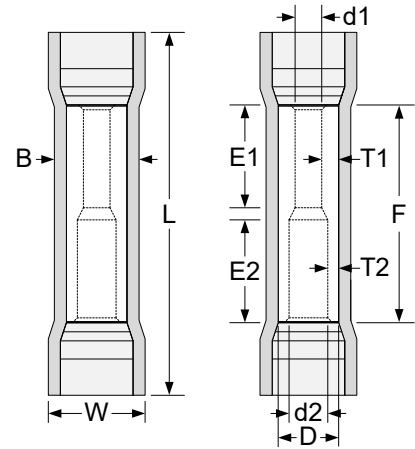
Product Number	Wire Range (AWG)		Max. Temp	Width	Length	Barrel I.D.		Copper Thickness		Strip Length	
	d1	d2		W	L	d1	d2	T1	T2	E1	E2
B7AB	22-18	16-14	221°F (105°C)	0.157"	0.728"	0.067"	0.098"	0.043"	0.030"	0.354"	0.354"
B7BC	16-14	12-10		0.217"	0.827"	0.098"	0.138"	0.059"	0.039"	0.394"	0.394"

** All dimensions in inches*



VINYL INSULATED STEP DOWN BUTT CONNECTORS

- Designed for secure and reliable connection of 2 wires with different sizes
- Polyvinyl insulated
- Manufactured from electrolytic copper seamless tube
- Electro tin plated for copper parts
- Ease of wire insertion with beveled mouth entry and flared barrel mouth
- Wire stop for wire positioning built on the middle of the butt connectors
- Wire range indicated by industry stand color coding
- Maximum temperature 221°F (105°C)
- Maximum voltage 300V



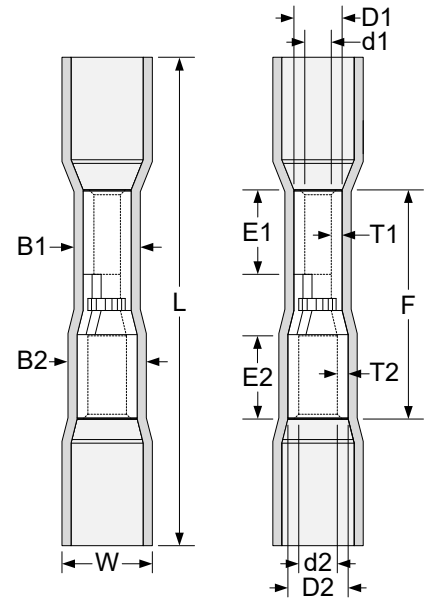
For Copper Wire only

Product Number	Color	Wire Range (AWG)		Max. Temp	Width		Length		Tube Dia.	Barrel I.D.		Copper Thickness		Strip Length	
		d1	d2		W	B	L	F		D	d1	d2	T1	T2	E1
B4AB	Blue	22-18	16-14	221°F (105°C)	0.197"	0.224"	1.181"	0.728"	0.157"	0.067"	0.098"	0.043"	0.030"	0.354"	0.354"
B4BC	Yellow	16-14	12-10		0.256"	0.276"	1.260"	0.827"	0.217"	0.098"	0.138"	0.059"	0.039"	0.394"	0.394"

* All dimensions in inches

HEAT SHRINK INSULATED STEP DOWN BUTT CONNECTORS

- Designed for secure and reliable connection of 2 wires with different sizes
- Translucent dual wall polyolefin shrinkable tubing with meltable liner insulated
- Manufactured from electrolytic copper seamless tube
- Electro tin plated for copper parts
- Ease of wire insertion with chamfered barrel
- Wire stop for wire positioning built on the middle of the butt connectors
- Wire range indicated by industry standard color coding
- Shrink ratio 3:1
- Temperature rating 221°F (105°C)
- Shrinking temperature 482°F (250°C) to 752°F (400°C)
- Maximum voltage 600V



For Copper Wire only

Product Number	Color	Wire Range (AWG) d1/d2	Max. Temp	Width			Length		Tube Diameter		Barrel I.D.		Copper Thickness		Strip Length
				W	B1	B2	L	F	D1	D2	d1	d2	T1	T2	
B8ABHS	Blue	22-18 16-14	221°F (105°C)	0.228"	0.209"	0.224"	1.535"	0.748"	0.134"	0.157"	0.067"	0.098"	0.035"	0.030"	0.295"
B8BCHS	Yellow	16-14 12-10		0.268"	0.252"	0.280"	1.831"	0.827"	0.177"	0.217"	0.091"	0.142"	0.039"	0.037"	0.307"

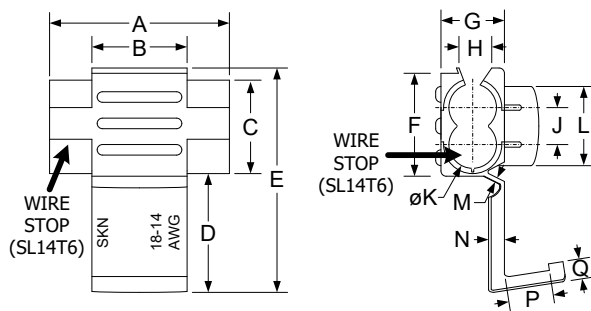
** All dimensions in inches*



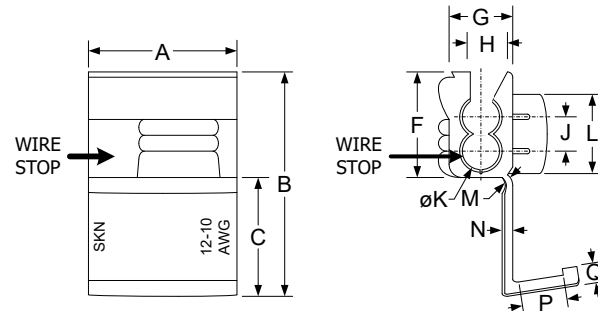
QUICK SPLICE CONNECTORS

- Polyvinyl housings
- Metal inserts made with brass finished with electro tin plate
- Maximum temperature 167°F (75°C)
- Maximum voltage 300V
- Common pliers recommended for installation

For Copper Wire only



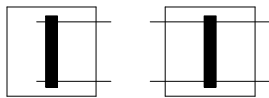
SL14T & SL14T6



SLYT

CONNECTION OF QUICK SPLICE CONNECTORS

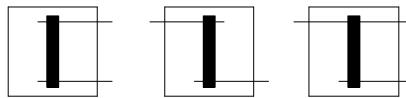
SL14T



Pigtail

Inline

SL14T6

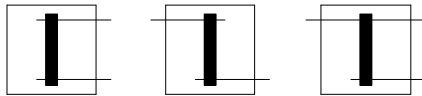


Pigtail

Inline

Tap

SLYT



Pigtail

Inline

Tap

Product Number	Vinyl Color	Wire Stop	Wire Range (AWG)	Brass Insert Thickness	A	B	C	D	E
SL14T	Beige	No	18-14	0.033"	0.800"	0.424"	0.354"	0.548"	0.998"
SL14T6	Blue	Yes							
SLYT	Yellow	Yes	12-10	0.0375"	0.815"	1.280"	0.644"		

Product Number	F	G	H	J	øK	L	M	N	P	Q
SL14T	0.436"	0.230"	0.060"	0.142"	0.140"	0.390"	0.019"	0.050"	0.250"	0.074"
SL14T6										
SLYT	0.601"	0.404"	0.152"	0.140"	0.177"	0.389"	0.0265"	0.063"	0.395"	0.091"

* All dimensions in inches

PUSH ON, QUICK DISCONNECT & BULLET TERMINALS

(FILE NAME : SPLICE CONNECTORS)

NON-INSULATED PUSH ON TERMINALS

VINYL INSULATED PUSH ON TERMINALS

NYLON FULLY INSULATED QUICK DISCONNECT TERMINALS

**NYLON FULLY INSULATED QUICK DISCONNECT TERMINALS
WITH HEAT SHRINK**

NON-INSULATED BULLET TERMINALS

VINYL INSULATED BULLET TERMINALS



SELECTION GUIDE OF SKN PUSH ON, QUICK DISCONNECT & BULLET TERMINALS

	MALE	FEMALE	FLAG FEMALE
Non-insulated Push On Terminal (Butted Seam, Tin Plated)			
Vinyl Insulated Push On Terminal (Butted Seam)			
Nylon Fully Insulated Quick Disconnect Terminal (Butted Seam)			
Nylon Fully Insulated Quick Disconnect Terminal with Heat Shrink (Butted Seam)			
Non-insulated Bullet Terminal (Butted Seam, Tin Plated)			
Vinyl Insulated Bullet Terminal (Butted Seam)			



Product Numbers of SKN Non-insulated Push On Terminals (Tin Plated)

Wire Range (AWG)	Width (Inches)	Male (Butted Seam)	Female (Butted Seam)	Female Flag (Butted Seam)
22-18	0.187"	MT1A187	FR1A187	
16-14	0.187"	MT1B187	FR1B187	FLFR1B187
22-18	0.250"	MT1A250	FR1A250	
16-14	0.250"	MT1B250	FR1B250	FLFR1B250
12-10	0.250"	MT1C250	FR1C250	FLFR1C250

Product Numbers of SKN Vinyl Insulated Push On Terminals

Insulation Color	Wire Range (AWG)	Width (Inches)	Male (Butted Seam)	Female (Butted Seam)
Red	22-18	0.187"	MT4A187	FR4A187
Blue	16-14	0.187"	MT4B187	FR4B187
Red	22-18	0.250"	MT4A250	FR4A250
Blue	16-14	0.250"	MT4B250	FR4B250
Yellow	12-10	0.250"	MT4C250	FR4C250

Product Numbers of SKN Nylon Fully Insulated Quick Disconnect Terminals

Insulation Color	Wire Range (AWG)	Width (Inches)	Male (Butted Seam)	Female (Butted Seam)	Female Flag (Butted Seam)
Red	22-18	0.187"		FR8A187F	
Blue	16-14	0.187"	MT8B187F	FR8B187F	
Red	22-18	0.250"	MT8A250F	FR8A250F	
Blue	16-14	0.250"	MT8B250F	FR8B250F	FLFR8B250F
Yellow	12-10	0.250"	MT8C250F	FR8C250F	

Product Numbers of SKN Nylon Fully Insulated Quick Disconnect Terminals with Heat Shrink

Insulation Color	Wire Range (AWG)	Width (Inches)	Male (Butted Seam)	Female (Butted Seam)
Red	22-18	0.250"	MT8A250FHS	FR8A250FHS
Blue	16-14	0.250"	MT8B250FHS	FR8B250FHS
Yellow	12-10	0.250"	MT8C250FHS	FR8C250FHS

Product Numbers of SKN Bullet Terminals

Insulation	Color	Wire Range (AWG)	Male (Butted Seam)	Female (Butted Seam)	Mating with
Non-insulated	Tin Plated	16-14	SC1B		FSC156FV
Vinyl Insulated	Blue		SC4B		
Non-insulated	Tin Plated		LC1B		*FSC176FV
Vinyl Insulated	Blue		LC4B		
				FSC156FV	SC1B SC4B
				*FSC176FV	LC1B LC4B

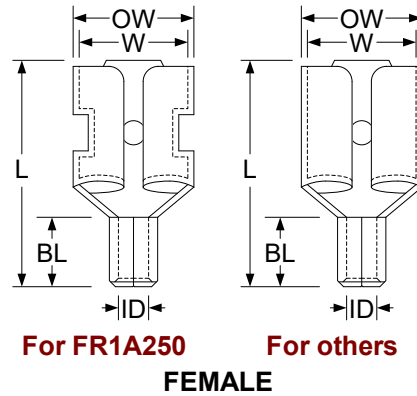
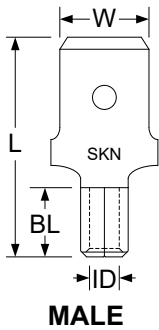
*FSC176FV is not in stock



**NON-INSULATED MALE & FEMALE PUSH ON TERMINALS
(BUTTED SEAM, TIN PLATED)**

- Electro tin plated
- Butted seam
- Manufactured from one piece high conductivity brass
- Ease of wire insertion with beveled mouth entry
- Maximum temperature 221°F (105°C)
- Maximum voltage 600V

For Copper Wire only



Product Number (Male)	Wire Range (AWG)	Length	Barrel Length	Barrel I.D.	Width	Brass Thickness	Strip Length	Mates with Female Terminal
		L	BL	ID	W	T		
MT1A187	22-18	0.643"	0.245"	0.068"	0.187"	0.020"	0.240"	FR1A187
MT1B187	16-14	0.648"		0.091"				FR1B187
MT1A250	22-18	0.733"	0.260"	0.068"	0.250"	0.033"	0.250"	FR1A250
MT1B250	16-14	0.740"		0.091"				FR1B250
MT1C250	12-10			0.133"				FR1C250

Product Number (Female)	Wire Range (AWG)	Length	Barrel Length	Barrel I.D.	Width	Brass Thickness	Strip Length	Mates with Male Terminal				
		L	BL	ID	W	T						
FR1A187	22-18	0.594"	0.255"	0.070"	0.187"	0.018"	0.250"	MT1A187				
FR1B187	16-14			0.094"				MT1B187				
FR1A250	22-18	0.666"	0.254"	0.070"	0.250"	0.022"		MT1A250				
FR1B250	16-14			0.091"				MT1B250				
FR1C250	12-10			0.133"				0.133"	0.133"	0.133"	0.133"	MT1C250
												MT1C250

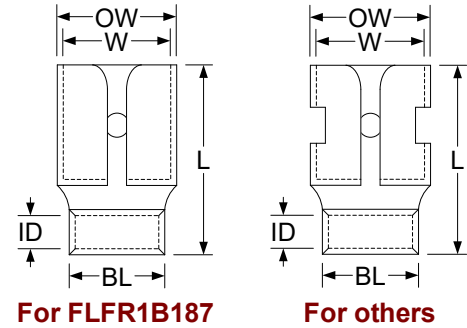
* All dimensions in inches

* OW = W+2T

**NON-INSULATED FEMALE FLAG PUSH ON TERMINALS
(BUTTED SEAM, TIN PLATED)**

- Electro tin plated
- Butted Seam
- Manufactured from one piece high conductivity brass
- Ease of wire insertion with beveled mouth entry
- Maximum temperature 221°F (105°C)
- Maximum voltage 600V

For Copper Wire only



Product Number (Female)	Wire Range (AWG)	Length	Barrel Length	Barrel I.D.	Width	Brass Thickness	Strip Length	Mates with Male Terminal
		L	BL	ID	W	T		
FLFR1B187	16-14	0.510"	0.194"	0.097"	0.187"	0.015"	0.190"	MT1B187
FLFR1B250		0.513"	0.257"	0.100"	0.250"		0.250"	MT1B250
FLFR1C250	12-10	0.552"		0.142"			0.250"	MT1C250

* All dimensions in inches

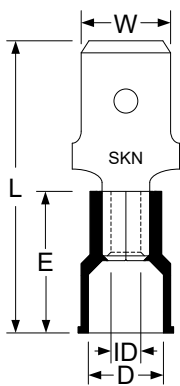
* $OW = W + 2T$



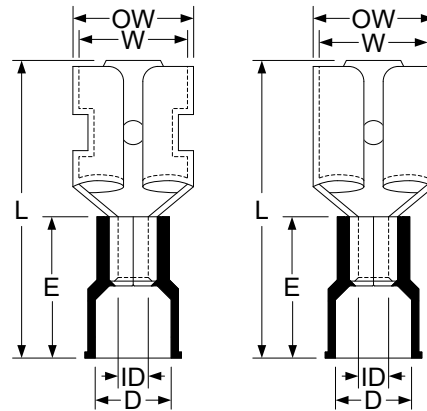
VINYL INSULATED MALE & FEMALE PUSH ON TERMINALS (BUTTED SEAM)

- Polyvinyl insulated
- Manufactured from one piece high conductivity brass for brass parts
- Electro tin plated for brass parts
- Butted seam
- Ease of wire insertion with beveled mouth entry and funnel barrel construction
- Wire range indicated by industry standard color coding
- Maximum temperature 167°F (75°C)
- Maximum voltage 300V

For Copper Wire only



MALE



For FR4A250

For others

FEMALE

Product Number (Male)	Vinyl Color	Wire Range (AWG)	Length	Barrel Length	Barrel I.D.	Vinyl Barrel	Width	Brass Thickness	Strip Length	Mates with Female Terminal
			L	E	ID	D	W	T		
MT4A187	Red	22-18	0.840"	0.450"	0.068"	0.145"	0.187"	0.020"	0.240"	FR4A187
MT4B187	Blue	16-14	0.845"		0.091"	0.150"				FR4B187
MT4A250	Red	22-18	0.910"		0.068"	0.145"	0.250"	0.033"		FR4A250
MT4B250	Blue	16-14	0.960"		0.091"	0.150"				FR4B250
MT4C250	Yellow	12-10	1.050"		0.133"	0.241"				FR4C250

Product Number (Female)	Vinyl Color	Wire Range (AWG)	Length	Barrel Length	Barrel I.D.	Vinyl Barrel	Width	Brass Thickness	Strip Length	Mates with Male Terminal
			L	E	ID	D	W	T		
FR4A187	Red	22-18	0.780"	0.450"	0.070"	0.145"	0.187"	0.018"	0.250"	MT4A187
FR4B187	Blue	16-14	0.800"		0.094"	0.150"				MT4B187
FR4A250	Red	22-18	0.850"		0.070"	0.145"	0.250"	0.022"		MT4A250
FR4B250	Blue	16-14	0.858"		0.091"	0.150"				MT4B250
FR4C250	Yellow	12-10	0.942"		0.133"	0.241"				MT4C250

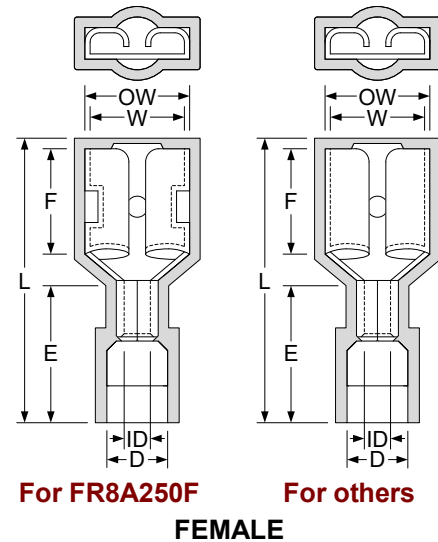
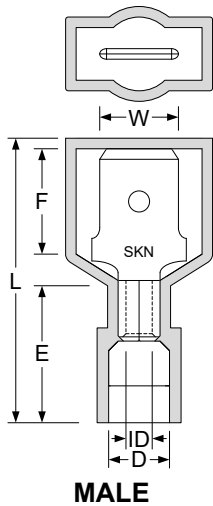
* All dimensions in inches

* OW = W+2T

NYLON FULLY INSULATED MALE & FEMALE QUICK DISCONNECT TERMINALS (BUTTED SEAM)

- Nylon fully insulated for entire terminal
- Manufactured from one piece high conductivity brass for brass parts
- Electro tin plated for brass parts
- Butted seam
- Ease of wire insertion with beveled mouth entry and funnel barrel construction
- Wire range indicated by industry standard color coding
- Maximum temperature 221°F (105°C)
- Maximum voltage 600V

For Copper Wire only



Product Number (Male)	Nylon Color	Wire Range (AWG)	Length		Barrel Length		Barrel I.D.		Nylon Barrel	Width	Brass Thickness	Strip Length	Mates with Female Terminal
			L	E	ID	D							
MT8B187F	Blue	16-14	0.870"	0.380"	0.091"	0.147"	0.187"	0.020"	0.250"	0.033"	0.260"	FR8B187F	
MT8A250F	Red	22-18	0.900"		0.068"	0.170"						FR8A250F	
MT8B250F	Blue	16-14	0.930"		0.091"	0.175"						FR8B250F	
MT8C250F	Yellow	12-10	1.050"		0.133"	0.260"						FR8C250F	

Product Number (Female)	Nylon Color	Wire Range (AWG)	Length		Barrel Length		Barrel I.D.		Nylon Barrel	Width	Brass Thickness	Strip Length	Mates with Male Terminal
			L	E	ID	D							
FR8A187F	Red	22-18	0.790"	0.420"	0.070"	0.147"	0.187"	0.018"	0.250"	0.022"	0.260"	MT8B187F	
FR8B187F	Blue	16-14	0.810"		0.094"							FR8B187F	
FR8A250F	Red	22-18	0.875"	0.440"	0.070"	0.170"	0.250"	0.022"	0.250"	0.025"	0.260"	MT8A250F	
FR8B250F	Blue	16-14	0.875"		0.091"	0.175"						MT8B250F	
FR8C250F	Yellow	12-10	0.991"		0.133"	0.260"						MT8C250F	

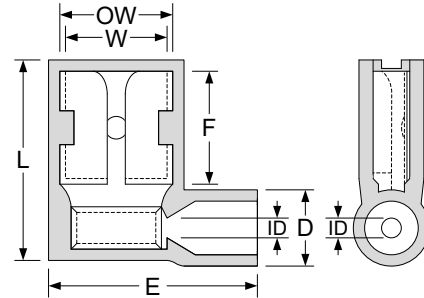
* All dimensions in inches

* OW = W + 2T



NYLON FULLY INSULATED FEMALE FLAG QUICK DISCONNECT TERMINALS (BUTTED SEAM)

- Nylon fully insulated for entire terminal
- Manufactured from one piece high conductivity brass for brass parts
- Electro tin plated for brass parts
- Butted seam
- Ease of wire insertion with beveled mouth entry and funnel barrel construction
- Wire range indicated by industry standard color coding
- Maximum temperature 221°F (105°C)
- Maximum voltage 600V



For Copper Wire only

Product Number (Female)	Nylon Color	Wire Range (AWG)	Length	Barrel Length	Barrel I.D.	Nylon Barrel	Width	Brass Thickness	Strip Length	Mates with Male Terminal
			L	E	ID	D	W	T		
FLFR8B250F	Blue	16-14	0.585"	0.595"	0.100"	0.209"	0.368"	0.015"	0.250"	MT8B250F

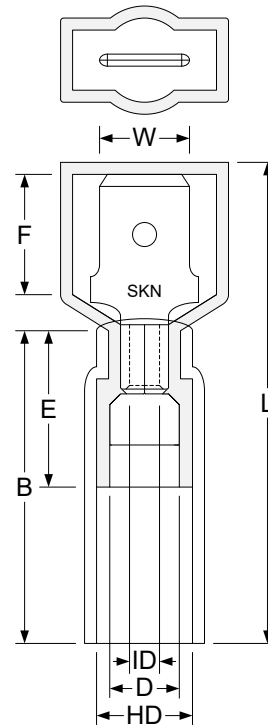
* All dimensions in inches

* $OW = W + 2T$

NYLON FULLY INSULATED MALE QUICK DISCONNECT TERMINALS WITH HEAT SHRINK (BUTTED SEAM)

- Nylon fully insulated for entire terminal
- Polyolefin shrinkable tubing installed on barrels
- Manufactured from one piece high conductivity brass for brass parts
- Electro tin plated for brass parts
- Butted seam
- Ease of wire insertion with beveled mouth entry and funnel barrel construction
- Wire range indicated by industry standard color coding
- Maximum temperature 221°F (105°C)
- Maximum voltage 600V

For Copper Wire only



Product Number (Male)	Nylon Color	Wire Range (AWG)	Length	Barrel Length	Heat Shrink Length	Barrel I.D.	Nylon Barren	Heat Shrink Barrel	Width	Brass Thickness	Strip Length
			L	E	B	ID	D	HD	W	T	
MT8A250FHS	Red	22-18	1.360"	0.380"	0.840"	0.068"	0.170"	0.250"	0.250"	0.033"	0.260"
MT8B250FHS	Blue	16-14	1.380"		0.830"	0.091"	0.175"				
MT8C250FHS	Yellow	12-10	1.499"	0.520"	0.969"	0.133"	0.260"	0.313"			

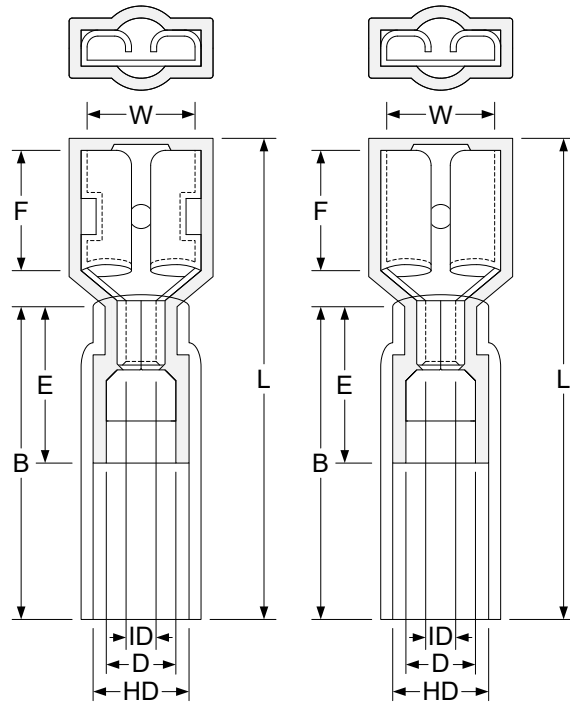
** All dimensions in inches*



NYLON FULLY INSULATED FEMALE QUICK DISCONNECT TERMINALS WITH HEAT SHRINK (BUTTED SEAM)

- Nylon fully insulated for entire terminal
- Polyolefin shrinkable tubing installed on barrels
- Manufactured from one piece high conductivity brass for brass parts
- Electro tin plated for brass parts
- Butted seam
- Ease of wire insertion with beveled mouth entry and funnel barrel construction
- Wire range indicated by industry standard color coding
- Maximum temperature 221°F (105°C)
- Maximum voltage 600V

For Copper Wire only



For FR8A250FHS

For others

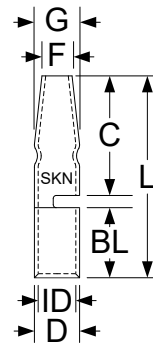
Product Number (Female)	Nylon Color	Wire Range (AWG)	Length	Barrel Length	Heat Shrink Length	Barrel I.D.	Nylon Barren	Heat Shrink Barrel	Width	Brass Thickness	Strip Length
			L	E	B	ID	D	HD	W	T	
FR8A250FHS	Red	22-18	1.328"	0.440"	0.893"	0.068"	0.170"	0.250"	0.250"	0.022"	0.260"
FR8B250FHS	Blue	16-14	1.336"		0.901"	0.091"	0.175"			0.025"	
FR8C250FHS	Yellow	12-10	1.368"	0.480"	0.857"	0.133"	0.260"	0.313"		0.025"	

** All dimensions in inches*

**NON-INSULATED MALE BULLET TERMINALS
(BUTTED SEAM, TIN PLATED)**

- Electro tin plated
- Manufactured from one piece electrolytic copper
- Butted seam
- Ease of wire insertion with beveled mouth entry
- Maximum temperature 221°F (105°C)
- Maximum voltage 600V

For Copper Wire only



Product Number (Male)	Wire Range (AWG)	Length	Barrel Length	Bullet Length	Barrel OD	Barrel ID	Mating Area	Bullet Width	Copper Thickness	Strip Length	Mates with Female Terminal
		L	BL	C	D	ID	ØF	ØG	T		
SC1B	16-14	0.596"	0.195"	0.372"	0.159"	0.091"	0.137"	0.155"	0.034"	0.195"	FSC156FV
LC1B		0.685"	0.245"	0.397"	0.155"		0.168"	0.175"	0.032"	0.240"	*FSC176FV

* All dimensions in inches

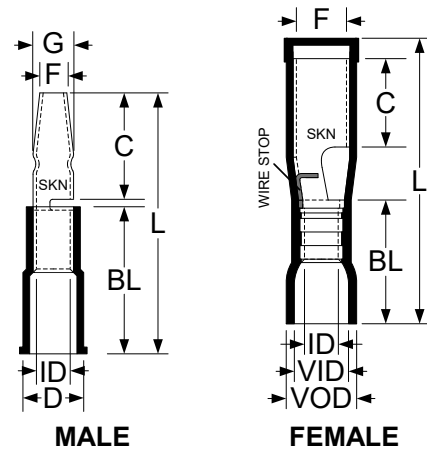
* FSC176FV not in stock



**VINYL INSULATED MALE & FEMALE BULLET TERMINALS
(BUTTED SEAM)**

- Polyvinyl insulated
- Manufactured from one piece high electrolytic copper for copper parts
- Electro tin plated for copper parts
- Butted seam
- Ease of wire insertion with beveled mouth entry and funnel barrel construction
- Wire range indicated by industry standard color coding
- Maximum temperature 167°F (75°C)
- Maximum voltage 300V

For Copper Wire only



Product Number (Male)	Vinyl Color	Wire Range (AWG)	Length	Barrel Length	Bullet Length	Barrel ID	Vinyl Barrel	Mating Area	Bullet Width	Copper Thickness	Strip Length	Mates with Female Terminal
			L	BL	C	ID		D	ØF			
SC4B	Blue	16-14	0.858"	0.456"	0.372"	0.091"	0.235"	0.137"	0.155"	0.034"	0.195"	FSC156FV
LC4B			0.859"		0.397"			0.168"	0.175"			0.032"

Product Number (Female)	Vinyl Color	Wire Range (AWG)	Length	Barrel Length	Bullet Length	Barrel ID	Outer Vinyl Barrel	Inner Vinyl Barrel	Mating Area	Brass Thickness	Strip Length	Mates with Male Terminal
			L	BL	C	ID	VOD	VID	ØF			
FSC156FV	Blue	16-14	0.967"	0.416"	0.281"	0.091"	0.230"	0.158"	0.143"	0.0195"	0.226"	SC1B SC4B

* All dimensions in inches

* FSC176FV not in stock

K SERIES

NYLON INSULATED TERMINALS

**NYLON INSULATED TERMINALS (BRAZED SEAM)
WITH COPPER SLEEVES**

**SINGLE CRIMP NYLON INSULATED TERMINALS
(BRAZED SEAM)**



UL LISTED



SELECTION GUIDE OF SKN K SERIES NYLON INSULATED TERMINALS

Ring

Spade

Locking
Spade

**K Series
Nylon Insulated
Terminal
(Brazeed Seam)
with Copper Sleeves**



**K Series
Single Crimp
Nylon Insulated
Terminal
(Brazeed Seam)**



**Product Numbers of SKN K Series
Nylon Insulated Ring Terminals (Braze Seam) with Copper Sleeves**

Insulation Color	Wire Range	Stud Size						
		#6	#8	#10	1/4"	5/16"	3/8"	1/2"
Red	22-18	KR6A6	KR6A8	KR6A10	KR6A14	KR6A56	KR6A38	
Blue	16-14	KR6B6	KR6B8	KR6B10	KR6B14	KR6B56	KR6B38	
Yellow	12-10	KR6C6	KR6C8	KR6C10	KR6C14	KR6C56	KR6C38	KR6C12

**Product Numbers of SKN K Series
Nylon Insulated Spade Terminals (Braze Seam) with Copper Sleeves**

Insulation Color	Wire Range	Stud Size			
		#6	#8	#10	
Red	22-18	KS6A6S	KS6A8S	KS6A10	KS6A10S
Blue	16-14	KS6B6S	KS6B8S	KS6B10	KS6B10S
Yellow	12-10	KS6C6	KS6C8	KS6C10	

**Product Numbers of SKN K Series
Nylon Insulated Locking Spade Terminals (Braze Seam) with Copper Sleeves**

Insulation Color	Wire Range	Stud Size			
		#6	#8	#10	1/4"
Red	22-18	KTLS6A6	KTLS6A8	KTLS6A10	
Blue	16-14	KTLS6B6	KTLS6B8	KTLS6B10	
Yellow	12-10	KTLS6C6	KTLS6C8	KTLS6C10	KTLS6C14



**Product Numbers of SKN K Series
Single Crimp Nylon Insulated Ring Terminals (Brazed Seam)**

Insulation Color	Wire Range	Stud Size						
		#6	#8	#10	1/4"	5/16"	3/8"	1/2"
Red	22-18	KR8A6	KR8A8	KR8A10	KR8A14	KR8A56	KR8A38	
Blue	16-14	KR8B6	KR8B8	KR8B10	KR8B14	KR8B56	KR8B38	
Yellow	12-10	KR8C6	KR8C8	KR8C10	KR8C14	KR8C56	KR8C38	KR8C12
Red	8			KR8E10	KR8E14	KR8E56	KR8E38	KR8E12
Blue	6			KR8F10	KR8F14	KR8F56	KR8F38	KR8F12
Yellow	4			KR8G10	KR8G14	KR8G56	KR8G38	KR8G12

**Product Numbers of SKN K Series
Single Crimp Nylon Insulated Spade Terminals (Brazed Seam)**

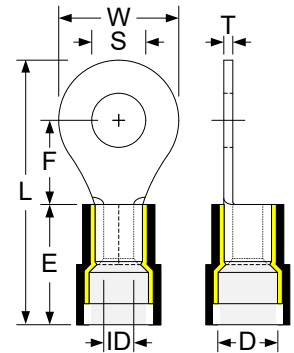
Insulation Color	Wire Range	Stud Size			
		#6	#8	#10	
Red	22-18	KS8A6S	KS8A8S	KS8A10	KS8A10S
Blue	16-14	KS8B6S	KS8B8S	KS8B10	KS8B10S
Yellow	12-10	KS8C6	KS8C8	KS8C10	

**Product Numbers of SKN K Series
Single Crimp Nylon Insulated Locking Spade Terminals (Brazed Seam)**

Insulation Color	Wire Range	Stud Size			
		#6	#8	#10	1/4"
Red	22-18	KTLS8A6	KTLS8A8	KTLS8A10	
Blue	16-14	KTLS8B6	KTLS8B8	KTLS8B10	
Yellow	12-10	KTLS8C6	KTLS8C8	KTLS8C10	KTLS8C14

K SERIES NYLON INSULATED RING TERMINALS (BRAZED SEAM) WITH COPPER SLEEVES

- UL listed
- Nylon insulated
- Manufactured from one piece high conductivity electrolytic copper
- Electro tin plated for copper parts
- Seamless high conductivity copper sleeves securely attached to terminal barrel
- Brazed seam
- Ease of wire insertion with beveled mouth entry and funnel barrel construction
- Non-slip ridge for correct tool position when crimping
- Wire range indicated by industry standard color coding
- Maximum temperature 221°F (105°C)
- Maximum voltage 600V



For Copper Wire only

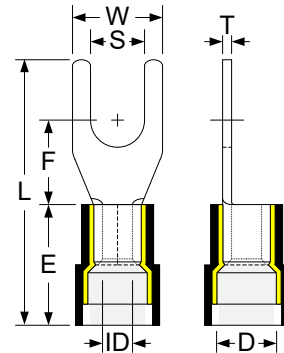
Product Number	Nylon Color	Wire Range (AWG)	Stud Size	Stud	Length		Width	Barrel Length	Nylon Barrel	Barrel I.D.	Copper Thickness	Strip Length
				S	L	F	W	E	D	ID	T	
KR6A6	Red	22-18	#6	0.146"	0.803"	0.248"	0.260"	0.433"	0.177"	0.067"	0.030"	0.189"
KR6A8			#8	0.169"	0.858"	0.276"	0.315"					
KR6A10			#10	0.200"	1.094"	0.433"	0.457"					
KR6A14			1/4"	0.252"	1.094"	0.433"	0.551"					
KR6A56			5/16"	0.328"	1.240"	0.549"	0.630"					
KR6A38			3/8"	0.390"	1.240"	0.547"	0.630"					
KR6B6	Blue	16-14	#6	0.146"	0.803"	0.248"	0.260"	0.433"	0.205"	0.091"	0.031"	0.189"
KR6B8			#8	0.169"	0.898"	0.307"	0.335"					
KR6B10			#10	0.209"	1.094"	0.433"	0.374"					
KR6B14			1/4"	0.252"	1.094"	0.433"	0.472"					
KR6B56			5/16"	0.328"	1.240"	0.547"	0.551"					
KR6B38			3/8"	0.390"	1.240"	0.547"	0.630"					
KR6C6	Yellow	12-10	#6	0.146"	0.894"	0.240"	0.283"	0.512"	0.276"	0.134"	0.039"	0.236"
KR6C8			#8	0.169"	1.024"	0.328"	0.374"					
KR6C10			#10	0.209"	1.161"	0.413"	0.472"					
KR6C14			1/4"	0.252"	1.339"	0.524"	0.591"					
KR6C56			5/16"	0.331"	1.339"	0.524"	0.591"					
KR6C38			3/8"	0.390"	1.520"	0.630"	0.756"					
KR6C12	1/2"	0.512"	1.520"	0.630"	0.756"							

** All dimensions in inches*



K SERIES NYLON INSULATED SPADE TERMINALS (BRAZED SEAM) WITH COPPER SLEEVES

- UL listed
- Nylon insulated
- Manufactured from one piece high conductivity electrolytic copper
- Electro tin plated for copper parts
- Seamless high conductivity copper sleeves securely attached to terminal barrel
- Brazed seam
- Ease of wire insertion with beveled mouth entry and funnel barrel construction
- Non-slip ridge for correct tool position when crimping
- Wire range indicated by industry standard color coding
- Maximum temperature 221°F (105°C)
- Maximum voltage 600V



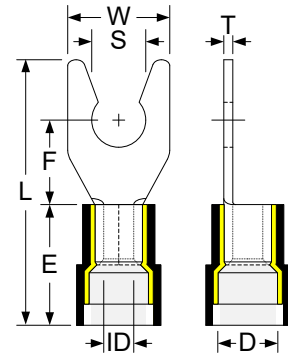
For Copper Wire only

Product Number	Nylon Color	Wire Range (AWG)	Stud Size	Stud	Length	F	Width	Barrel Length	Nylon Barrel	Barrel I.D.	Copper Thickness	Strip Length
				S			L			W		
KS6A6S	Red	22-18	#6	0.146"	0.866"	0.256"	0.252"	0.433"	0.177"	0.067"	0.030"	0.189"
KS6A8S			#8	0.169"			0.283"					
KS6A10S			#10	0.209"			0.319"					
KS6A10							0.374"					
KS6B6S	Blue	16-14	#6	0.146"	0.866"	0.256"	0.225"	0.433"	0.205"	0.091"	0.031"	0.189"
KS6B8S			#8	0.169"			0.245"					
KS6B10S			#10	0.209"			0.319"					
KS6B10							0.366"					
KS6C6	Yellow	12-10	#6	0.146"	1.004"	0.276"	0.327"	0.512"	0.276"	0.134"	0.039"	0.236"
KS6C8			#8	0.169"			0.327"					
KS6C10			#10	0.209"			0.354"					

** All dimensions in inches*

K SERIES NYLON INSULATED LOCKING SPADE TERMINALS (BRAZED SEAM) WITH COPPER SLEEVES

- UL listed
- Nylon insulated
- Manufactured from one piece high conductivity electrolytic copper
- Electro tin plated for copper parts
- Seamless high conductivity copper sleeves securely attached to terminal barrel
- Brazed seam
- Ease of wire insertion with beveled mouth entry and funnel barrel construction
- Non-slip ridge for correct tool position when crimping
- Wire range indicated by industry standard color coding
- Maximum temperature 221°F (105°C)
- Maximum voltage 600V



For Copper Wire only

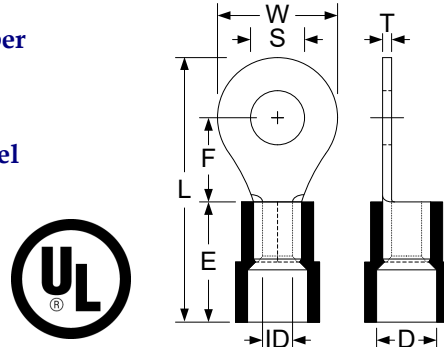
Product Number	Nylon Color	Wire Range (AWG)	Stud Size	Stud	Length	F	Width	Barrel Length	Nylon Barrel	Barrel I.D.	Copper Thickness	Strip Length
				S			L					
KTLS6A6	Red	22-18	#6	0.146"	0.866"	0.256"	0.252"	0.433"	0.232"	0.067"	0.030"	0.189"
KTLS6A8			#8	0.169"			0.305"					
KTLS6A10			#10	0.209"			0.319"					
KTLS6B6	Blue	16-14	#6	0.146"	0.877"	0.256"	0.252"	0.433"	0.245"	0.091"	0.032"	0.189"
KTLS6B8			#8	0.169"			0.319"					
KTLS6B10			#10	0.209"			0.319"					
KTLS6C6	Yellow	12-10	#6	0.146"	1.000"	0.276"	0.252"	0.512"	0.324"	0.134"	0.039"	0.236"
KTLS6C8			#8	0.169"			0.319"					
KTLS6C10			#10	0.209"			0.319"					
KTLS6C14			#14	0.252"			1.042"					

** All dimensions in inches*



K SERIES SINGLE CRIMP NYLON INSULATED RING TERMINALS (BRAZED SEAM)

- UL listed
- Nylon insulated
- Manufactured from one piece high conductivity electrolytic copper
- Electro tin plated for copper parts
- Brazed seam
- Ease of wire insertion with beveled mouth entry and funnel barrel construction
- Non-slip ridge for correct tool position when crimping
- Wire range indicated by industry standard color coding
- Maximum temperature 221°F (105°C)
- Maximum voltage 600V



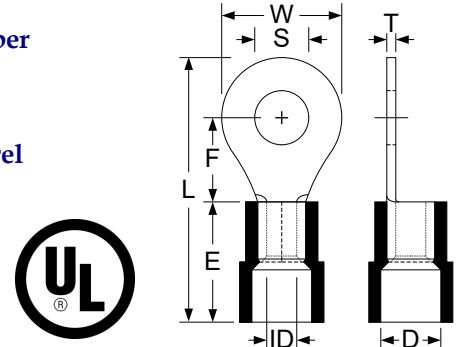
For Copper Wire only

Product Number	Nylon Color	Wire Range (AWG)	Stud Size	Stud	Length		Width	Barrel Length	Nylon Barrel	Barrel I.D.	Copper Thickness	Strip Length
				S	L	F	W					
KR8A6	Red	22-18	#6	0.146"	0.803"	0.248"	0.260"	0.433"	0.157"	0.067"	0.030"	0.189"
KR8A8			#8	0.169"	0.858"	0.276"	0.315"					
KR8A10			#10	0.209"								
KR8A14			1/4"	0.252"	1.094"	0.433"	0.457"					
KR8A56			5/16"	0.331"								
KR8A38			3/8"	0.413"	1.240"	0.547"	0.535					
KR8B6	Blue	16-14	#6	0.146"	0.803"	0.248"	0.260"	0.433"	0.177"	0.091"	0.031"	0.189"
KR8B8			#8	0.169"	0.898"	0.307"	0.335"					
KR8B10			#10	0.209"								
KR8B14			1/4"	0.252"	1.094"	0.433"	0.472"					
KR8B56			5/16"	0.331"								
KR8B38			3/8"	0.413"	1.240"	0.547"	0.535"					
KR8C6	Yellow	12-10	#6	0.146"	0.894"	0.240"	0.283"	0.512"	0.252"	0.134"	0.039"	0.236"
KR8C8			#8	0.169"	1.024"	0.327"	0.374"					
KR8C10			#10	0.209"								
KR8C14			1/4"	0.252"	1.161"	0.413"	0.472"					
KR8C56			5/16"	0.331"								
KR8C38			3/8"	0.413"	1.339"	0.524"	0.591"					
KR8C12			1/2"	0.512"								

* All dimensions in inches

K SERIES SINGLE CRIMP NYLON INSULATED RING TERMINALS (BRAZED SEAM)

- UL listed
- Nylon insulated
- Manufactured from one piece high conductivity electrolytic copper
- Electro tin plated for copper parts
- Brazed seam
- Ease of wire insertion with beveled mouth entry and funnel barrel construction
- Non-slip ridge for correct tool position when crimping
- Wire range indicated by industry standard color coding
- Maximum temperature 221°F (105°C)
- Maximum voltage 600V



For Copper Wire only

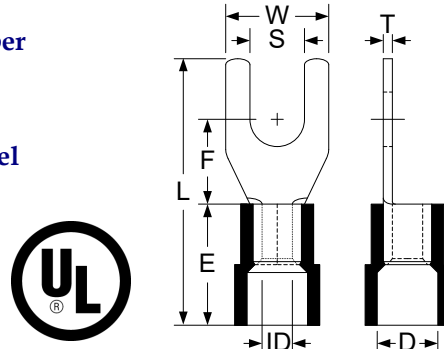
Product Number	Nylon Color	Wire Range (AWG)	Stud Size	Stud	Length	F	Width	Barrel Length	Nylon Barrel	Barrel I.D.	Copper Thickness	Strip Length
				S			L					
KR8E10	Red	8	#10	0.209"	1.232"	0.366"	0.472"	0.630"	0.315"	0.177"	0.047"	0.337"
KR8E14			1/4"	0.252"								
KR8E56			5/16"	0.331"	1.469"	0.543"	0.591"					
KR8E38			3/8"	0.413"								
KR8E12			1/2"	0.512"								
KR8F10	Blue	6	#10	0.209	1.606"	0.524"	0.472"	0.846"	0.433"	0.228"	0.059"	0.413"
KR8F14			1/4"	0.252								
KR8F56			5/16"	0.331	1.713"	0.559"	0.630"					
KR8F38			3/8"	0.413								
KR8F12			1/2"	0.512								
KR8G10	Yellow	4	#10	0.209"	1.780"	0.614"	0.480"	0.945"	0.512"	0.303"	0.670"	0.472"
KR8G14			1/4"	0.252"								
KR8G56			5/16"	0.331"	1.791"	0.531"	0.650"					
KR8G38			3/8"	0.413"								
KR8G12			1/2"	0.512"								

** All dimensions in inches*



K SERIES SINGLE CRIMP NYLON INSULATED SPADE TERMINALS (BRAZED SEAM)

- UL listed
- Nylon insulated
- Manufactured from one piece high conductivity electrolytic copper
- Electro tin plated for copper parts
- Brazed seam
- Ease of wire insertion with beveled mouth entry and funnel barrel construction
- Non-slip ridge for correct tool position when crimping
- Wire range indicated by industry standard color coding
- Maximum temperature 221°F (105°C)
- Maximum voltage 600V



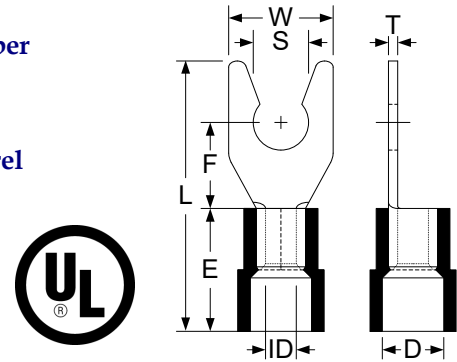
For Copper Wire only

Product Number	Nylon Color	Wire Range (AWG)	Stud Size	Stud	Length	F	Width	Barrel Length	Nylon Barrel	Barrel I.D.	Copper Thickness	Strip Length
				S			L					
KS8A6S	Red	22-18	#6	0.146"	0.866"	0.256"	0.252"	0.433"	0.157"	0.067"	0.030"	0.189"
KS8A8S			#8	0.169"			0.283"					
KS8A10S			#10	0.209"			0.319"					
KS8A10							0.374"					
KS8B6S	Blue	16-14	#6	0.146"	0.866"	0.256"	0.224"	0.433"	0.177"	0.091"	0.031"	0.189"
KS8B8S			#8	0.169"			0.252"					
KS8B10S			#10	0.209"			0.319"					
KS8B10							0.366"					
KS8C6	Yellow	12-10	#6	0.146"	1.004"	0.276"	0.327"	0.512"	0.252"	0.134"	0.039"	0.236"
KS8C8			#8	0.169"			0.327"					
KS8C10			#10	0.209"			0.354"					

* All dimensions in inches

K SERIES SINGLE CRIMP NYLON INSULATED LOCKING SPADE TERMINALS (BRAZED SEAM)

- UL listed
- Nylon insulated
- Manufactured from one piece high conductivity electrolytic copper
- Electro tin plated for copper parts
- Brazed seam
- Ease of wire insertion with beveled mouth entry and funnel barrel construction
- Non-slip ridge for correct tool position when crimping
- Wire range indicated by industry standard color coding
- Maximum temperature 221°F (105°C)
- Maximum voltage 600V



For Copper Wire only

Product Number	Nylon Color	Wire Range (AWG)	Stud Size	Stud	Length	F	Width	Barrel Length	Nylon Barrel	Barrel I.D.	Copper Thickness	Strip Length
				S			L					
KTLS8A6	Red	22-18	#6	0.146"	0.870"	0.256"	0.252"	0.433"	0.228"	0.067"	0.030"	0.189"
KTLS8A8			#8	0.169"			0.305"					
KTLS8A10			#10	0.209"	0.319"							
KTLS8B6	Blue	16-14	#6	0.146"	0.872"	0.256"	0.252"	0.433"	0.242"	0.091"	0.032"	0.189"
KTLS8B8			#8	0.169"			0.319"					
KTLS8B10			#10	0.209"								
KTLS8C6	Yellow	12-10	#6	0.146"	1.000"	0.276"	0.252"	0.512"	0.315"	0.134"	0.039"	0.236"
KTLS8C8			#8	0.169"			0.319"					
KTLS8C10			#10	0.209"								
KTLS8C14			#14	0.252"	1.028"	0.472"	0.430"					

** All dimensions in inches*



SKN Products, LLC

K SERIES HEAT SHRINK INSULATED TERMINALS & BUTT CONNECTORS WITH COPPER SLEEVES & FUNNEL ENTRIES

**HEAT SHRINK INSULATED TERMINALS
WITH COPPER SLEEVES & FUNNEL ENTRIES**

**HEAT SHRINK INSULATED BUTT CONNECTORS
WITH COPPER SLEEVES & FUNNEL ENTRIES**

**PRODUCTS
COMING SOON**



UL LISTED

SELECTION GUIDE OF SKN K SERIES HEAT SHRINK INSULATED TERMINALS & BUTT CONNECTORS WITH COPPER SLEEVES & FUNNEL ENTRIES

K Series Heat Shrink Insulated Terminal with Copper Sleeves & Funnel Entries



K Series Heat Shrink Insulated Butt Connectors with Copper Sleeves & Funnel Entries





Product Numbers of SKN K Series Heat Shrink Insulated Ring Terminals with Copper Sleeves & Funnel Entries

Insulation Color	Wire Range	Stud Size						
		#6	#8	#10	1/4"	5/16"	3/8"	1/2"
Red	22-18	KDR2A6HS	KDR2A8HS	KDR2A10HS	KDR2A14HS	KDR2A56HS	KDR2A38HS	
Blue	16-14	KDR2B6HS	KDR2B8HS	KDR2B10HS	KDR2B14HS	KDR2B56HS	KDR2B38HS	
Yellow	12-10	KDR2C6HS	KDR2C8HS	KDR2C10HS	KDR2C14HS	KDR2C56HS	KDR2C38HS	KDR2C12HS

Product Numbers of SKN K Series Heat Shrink Insulated Spade Terminals with Copper Sleeves & Funnel Entries

Insulation Color	Wire Range	Stud Size
		#10
Red	22-18	KDS2A10HS
Blue	16-14	KDS2B10HS
Yellow	12-10	KDS2C10HS

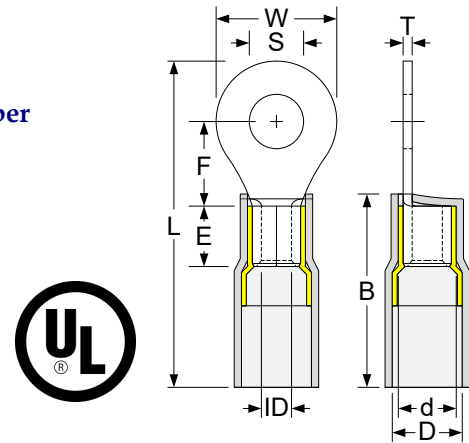
Product Numbers of SKN K Series Heat Shrink Insulated Butt Connectors with Copper Sleeves & Funnel Entries

Product Number	Insulation Color	Wire Range (AWG)	Maximum Temperature
KDB8AHS	Red	22-18	221°F (105°C)
KDB8BHS	Blue	16-14	
KDB8CHS	Yellow	12-10	

**K SERIES HEAT SHRINK INSULATED RING TERMINALS
WITH COPPER SLEEVES & FUNNEL ENTRIES**

- Translucent shrinkable tubing insulated
- Ease of wire insertion with copper funnel entry
- Manufactured from one piece high conductivity electrolytic copper
- Electro tin plated for copper parts
- Brazed seam
- Wire range indicated by industry standard color coding
- Shrink ratio 3:1
- Shrinking temperature 482°F (250°C) to 752°F (400°C)
- Maximum temperature 221°F (105°C)
- Maximum voltage 600V

For Copper Wire only



Product Number	Heat Shrink Color	Wire Range (AWG)	Stud Size	Stud	Length	Width		Barrel Length	Heat Shrink Barrel	Copper Sleeve	Barrel I.D.	Copper Thickness	Strip Length
				S	L	F	W						
KDR2A6HS	Red	22-18	#6	0.146"	1.134"	0.248"	0.260"	0.835"	0.189"	0.157"	0.067"	0.0295"	0.193"
KDR2A8HS			#8	0.169"	1.189"	0.276"	0.315"						
KDR2A10HS			#10	0.201"	1.189"	0.276"	0.315"						
KDR2A14HS			1/4"	0.252"	1.425"	0.433"	0.457"						
KDR2A56HS			5/16"	0.331"	1.417"	0.433"	0.551"						
KDR2A38HS			3/8"	0.390"	1.524"	0.547"	0.630"						
KDR2B6HS	Blue	16-14	#6	0.146"	1.083"	0.248"	0.260"	0.835"	0.228"	0.177"	0.091"	0.0310"	0.193"
KDR2B8HS			#8	0.169"	1.217"	0.291"	0.335"						
KDR2B10HS			#10	0.209"	1.236"	0.291"	0.374"						
KDR2B14HS			1/4"	0.252"	1.425"	0.433"	0.472"						
KDR2B56HS			5/16"	0.328"	1.425"	0.433"	0.551"						
KDR2B38HS			3/8"	0.390"	1.524"	0.547"	0.630"						
KDR2C6HS	Yellow	12-10	#6	0.146"	1.300"	0.240"	0.283"	0.984"	0.268"	0.209"	0.134"	0.0390"	0.244"
KDR2C8HS			#8	0.169"	1.409"	0.327"	0.374"						
KDR2C10HS			#10	0.213"	1.387"	0.327"	0.378"						
KDR2C14HS			1/4"	0.252"	1.547"	0.413"	0.472"						
KDR2C56HS			5/16"	0.331"	1.724"	0.524"	0.591"						
KDR2C38HS			3/8"	0.390"	1.724"	0.524"	0.591"						
KDR2C12HS			1/2"	0.512"	1.906"	0.630"	0.756"						

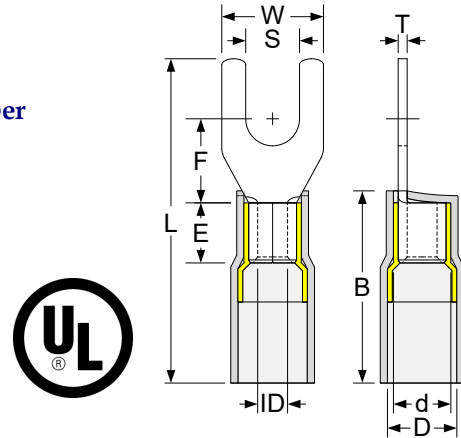
** All dimensions in inches*



K SERIES HEAT SHRINK INSULATED SPADE TERMINALS WITH COPPER SLEEVES & FUNNEL ENTRIES

- Translucent shrinkable tubing insulated
- Ease of wire insertion with copper funnel entry
- Manufactured from one piece high conductivity electrolytic copper
- Electro tin plated for copper parts
- Brazed seam
- Wire range indicated by industry standard color coding
- Shrink ratio 3:1
- Shrinking temperature 482°F (250°C) to 752°F (400°C)
- Maximum temperature 221°F (105°C)
- Maximum voltage 600V

For Copper Wire only



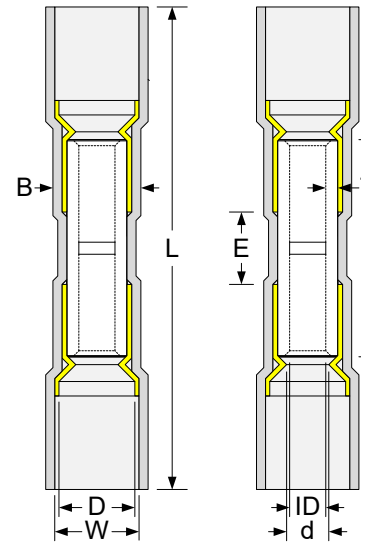
Product Number	Heat Shrink Color	Wire Range (AWG)	Stud Size	Stud	Length		Width	Barrel Length	Heat Shrink Barrel	Copper Sleeve	Barrel I.D.	Copper Thick-ness	Strip Length
				S	L	F	W	B	D	d	ID	T	E
KDS2A10HS	Red	22-18	#10	0.209"	1.189"	0.256"	0.374"	0.835"	0.189"	0.157"	0.067"	0.0295"	0.193"
KDS2B10HS	Blue	16-14	#10	0.209"	1.189"	0.256"	0.311"	0.835"	0.228"	0.177"	0.091"	0.0310"	0.193"
KDS2C10HS	Yellow	12-10	#10	0.209"	1.398"	0.276"	0.354"	0.984"	0.268"	0.209"	0.134"	0.0390"	0.244"

** All dimensions in inches*

K SERIES HEAT SHRINK INSULATED BUTT CONNECTORS WITH COPPER SLEEVES & FUNNEL ENTRIES

- Translucent shrinkable tubing insulated
- Ease of wire insertion with copper funnel entry
- Manufactured from electrolytic copper seamless tube
- Electro tin plated for copper parts
- Wire stop for wire positioning built on the middle of the butt connectors
- Wire range indicated by industry standard color coding
- Shrink ratio 3:1
- Shrinking temperature 482°F (250°C) to 752°F (400°C)
- Maximum temperature 221°F (105°C)
- Maximum voltage 600V

For Copper Wire only



Product Number	Heat Shrink Color	Wire Range (AWG)	W	B	L	D	ID	d	E	F	F1	Strip Length
KDB8AHS	Red	22-18	0.197"	0.213"	1.445"	0.150"	0.087"	0.067"	0.134"	0.827"	0.591"	0.335"
KDB8BHS	Blue	16-14	0.236"	0.244"	1.472"	0.169"	0.098"	0.094"	0.185"	0.882"	0.650"	0.354"
KDB8CHS	Yellow	12-10	0.276"	0.307"	1.843"	0.236"	0.138"	0.134"	0.311"	1.165"	0.827"	0.472"

** All dimensions in inches*



SKN Products, LLC

K SERIES PUSH ON & BULLET TERMINALS

**NYLON INSULATED PUSH ON TERMINALS
WITH COPPER SLEEVES**

**VINYL INSULATED PIGGY BACK PUSH ON TERMINALS
WITH COPPER SLEEVES**

**NYLON FULLY INSULATED BULLET TERMINALS
WITH COPPER SLEEVES**

SELECTION GUIDE OF SKN K SERIES PUSH ON & BULLET TERMINALS



Product Numbers of SKN K Series Nylon Insulated Push On Terminals with Copper Sleeves

Insulation Color	Wire Range (AWG)	Width (Inches)	Male	Female
Red	22-18	0.250"	KMT6A250	KFR6A250
Blue	16-14	0.187"	KMT6B187	KFR6B187
Blue	16-14	0.250"	KMT6B250	KFR6B250
Yellow	12-10	0.250"	KMT6C250	KFR6C250

Product Numbers of SKN K Series Vinyl Insulated Piggy Back Push On Terminals with Copper Sleeves

Insulation Color	Wire Range (AWG)	Width (Inches)	Female
Blue	16-14	0.250"	KPBT4B250

Product Numbers of SKN K Series Nylon Insulated Bullet Terminals with Copper Sleeves

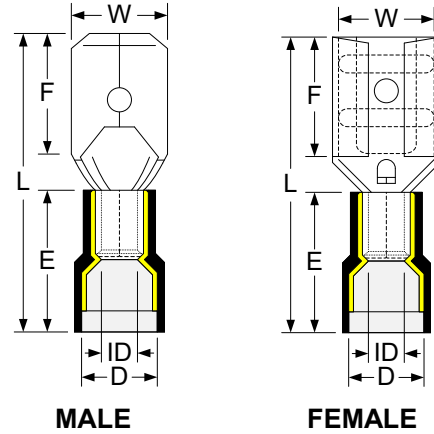
Insulation Color	Wire Range (AWG)	Female
Blue	16-14	KFSC156F



**K SERIES NYLON INSULATED
PUSH ON TERMINALS WITH COPPER SLEEVES**

- Nylon insulated
- Manufactured from one piece high conductivity brass for brass parts
- Electro tin plated for brass parts
- High conductivity seamless copper sleeves securely attached to terminal barrel
- Ease of wire insertion with beveled mouth entry and funnel barrel construction
- Wire range indicated by industry standard color coding
- Maximum temperature 221°F (105°C)
- Maximum voltage 600V

For Copper Wire only



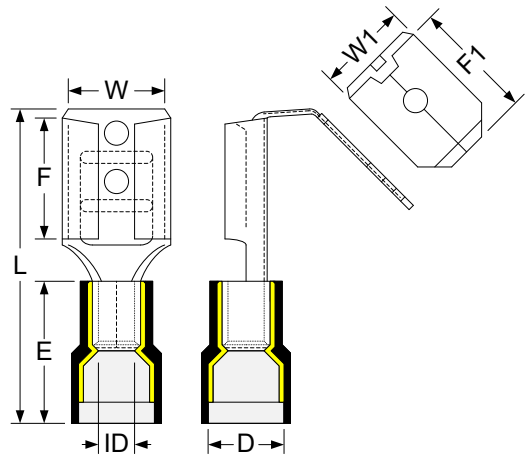
Product Number (Male)	Nylon Color	Wire Range (AWG)	Length	Barrel Length	Barrel I.D.	Nylon Barrel	Width		Brass Thickness	Mates with Female Terminal
			L	E	ID	D	W	F		
KMT6A250	Red	22-18	0.866"	0.433"	0.067"	0.157"	0.250"	0.303"	0.016"	KFR6A250
KMT6B187	Blue	16-14	0.787"	0.433"	0.091"	0.197"	0.189"	0.256"	0.020"	KFR6B187
KMT6B250			0.866"				0.250"	0.303"		
KMT6C250	Yellow	12-10	0.945"	0.512"	0.134"	0.256"	0.250"	0.303"	0.016"	KFR6C250

Product Number (Female)	Nylon Color	Wire Range (AWG)	Length	Barrel Length	Barrel I.D.	Nylon Barrel	Width		Brass Thickness	Mates with Male Terminal
			L	E	ID	D	W	F		
KFR6A250	Red	22-18	0.846"	0.433"	0.067"	0.157"	0.260"	0.295"	0.016"	KMT6A250
KFR6B187	Blue	16-14	0.787"	0.433"	0.091"	0.197"	0.197"	0.256"	0.016"	KMT6B187
KFR6B250			0.846"				0.260"	0.295"		
KFR6C250	Yellow	12-10	0.925"	0.512"	0.134"	0.256"	0.260"	0.295"	0.016"	KMT6C250

* All dimensions in inches

K SERIES VINYL INSULATED PIGGY BACK PUSH ON TERMINALS WITH COPPER SLEEVES

- Polyvinyl insulated
- Manufactured from one piece high conductivity brass
- Electro tin plated for brass parts
- High conductivity seamless copper sleeves securely attached to terminal barrel
- Ease of wire insertion with beveled mouth entry and funnel barrel construction
- Wire range indicated by industry standard color coding
- Maximum temperature 167°F (75°C)
- Maximum voltage 300V



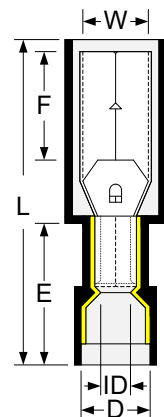
For Copper Wire only

Product Number	Vinyl Color	Wire Range (AWG)	Length		Barrel I.D.		Width		Brass Thickness		
			L	E	ID	D	W	W1		F	F1
KPBT4B250	Blue	16-14	0.886"	0.413"	0.091"	0.185"	0.260"	0.250"	0.315"	0.323"	0.016"

* All dimensions in inches

K SERIES NYLON FULLY INSULATED FEMALE BULLET TERMINALS WITH COPPER SLEEVES

- Nylon fully insulated
- Manufactured from one piece high conductivity brass for brass parts
- Electro tin plated for brass parts
- High conductivity seamless copper sleeves securely attached to terminal barrel
- Ease of wire insertion with beveled mouth entry and funnel barrel construction
- Wire range indicated by industry standard color coding
- Maximum temperature 221°F (105°C)
- Maximum voltage 600V



For Copper Wire only

Product Number	Nylon Color	Wire Range (AWG)	Length		Barrel I.D.		Width		Brass Thickness
			L	E	ID	D	W	F	
KFSC156F	Blue	16-14	0.992"	0.433"	0.091"	0.197"	0.153"	0.276"	0.016"

* All dimensions in inches



SKN Products, LLC

INSTALLATION TOOLS & ACCESSORIES

CRIMPERS

STRIPPERS

CABLE CUTTERS

HEAT GUNS

CRIMPERS

CRIMPERS

HEAT SHRINK TERMINALS RATCHETED CRIMPER

Part No. RCHS03C8



- Special design for crimping heat shrink insulated terminals
- Ratcheted design
- Crimping range AWG 22 to 8
- Made in Taiwan

HEAVY DUTY HANDHELD HEXAGON CRIMPER

Part No. RC408SKN



- Designed specifically to crimp AWG 6 to 4/0
- Comfortable hand grips
- Heavy duty design
- Easier crimping
- Tool length 25" (635 mm)
- Tool weight 8.7 lbs (3.95 kg)
- Made in Taiwan



CRIMPERS

ECLIPSE NON-INSULATED TERMINAL CRIMPER

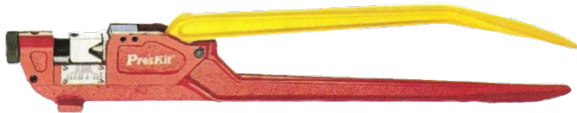
Part No. 300-055

- Ratcheted design
- For crimping solderless and non-insulated terminals
- Crimping range AWG 22 to 6
- Made in Taiwan



ECLIPSE HEAVY DUTY SOLDERLESS LUG CRIMPER

Part No. 300-107



- Two capacity plates - Aluminum and Copper
- For crimping Solderless lugs
- Crimping range AWG 8 to 250 MCM
- Adjustment knob located on top of tool
- Made in Taiwan

ECLIPSE LUNAR SERIES RATCHETED CRIMPER

Part No. 300-141

- Die included
- For crimping insulated terminals with or without support sleeves
- Crimping range AWG 22 to 10
- Made in Taiwan



STRIPPERS

STRIPPERS

ECLIPSE WIRE STRIPPING TOOL

Part No. 200-003

- For Stripping PVC, teflon, and silicone wires
- Aluminum die cast
- Stripping range AWG 22 to 8
- Made in Taiwan



ECLIPSE ROTARY CABLE SLITTER

Part No. 200-009



- For slitting/stripping round cables
- Adjustable cutting depth
- Blade swivels for longitudinal/spiral cuts
- Slitting range 0.18" to 1.0"
- Made in Taiwan

REPLACEMENT BLADE FOR ROTARY CABLE SLITTER (200-009)

Part No. 200-036



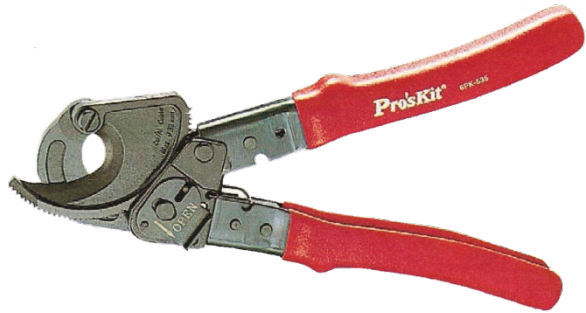
CABLE CUTTERS

CABLE CUTTERS

ECLIPSE HEAVY DUTY CABLE CUTTER

Part No. 200-006

- Ratched design with safety release
- Comfortable handles
- For aluminum and soft copper cables
- Cutting range up to 1.25" or 500 MCM
- Replacement cutting blades available
- Made in Taiwan



ECLIPSE ROUND CABLE CUTTER

Part No. 200-046



- For large wires
- Cutting up to 100 pair cable
- Insulated handles
- Return spring design
- Cutting range up to AWG 2/0
- Made in Taiwan

HEAT GUNS

HEAT GUNS

STEINEL HL-1620S MULTI-PURPOSE DUAL TEMPERATURE HEAT GUN

Part No. SV-803

- For heat shrink insulated terminals and connectors
- Adjustable 2-stage temperature (570 °F / 950°F)
- Adjustable 2-stage air flow (8 cfm / 13 cfm)
- 1300 watts output power
- Voltage 120VAC, 50/60 Hz
- Input current 10.9 A
- Full one year warranty
- Made in Moldova





SKN Products, LLC

CABLE TIE ACCESSORIES

CABLE TIE MOUNTS

NYLON CABLE CLAMPS

SELECTION GUIDE OF SKN CABLE TIE ACCESSORIES



Cable Tie Mounts



Nylon Cable Clamps

Product Numbers of SKN Cable Tie Mounts

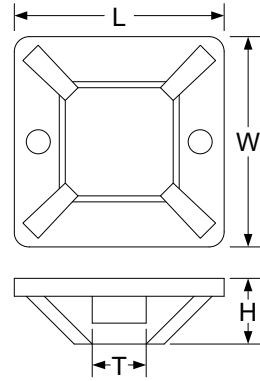
Product Number	Color	Size (Length x width) (Inches)	Stud Size	Adhesive
CTMP6	Natural	1" x 1"	#4	YES
CTMP6S2	Black	0.75" x 0.75"	NIL	

Product Numbers of SKN Nylon Cable Clamps

Product Number	Color	Maximum Bundle	Mounting Hole Stud Size
NC36	Natural	0.188"	#8
NC14		0.250"	
NC56		0.313"	
NC38		0.375"	
NC12		0.500"	#10
NC34		0.750"	
NC1		1.000"	



SPECIFICATIONS OF CABLE TIE MOUNTS

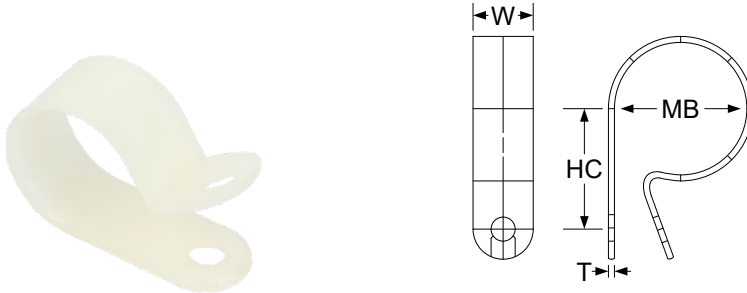


- Manufactured with Nylon 6-6
- Adhesive for solid position fixing
- Selection of natural and black colors (subjected to availability)

Product Number	Color	Length	Width	Height	Thickness	Stud Size
		L	W	H		
CTMP6	Natural	1.00"		0.312"	0.390"	#4
CTMP6S2	Black	0.75"		0.290"	0.310"	NIL

** All dimensions in inches*

SPECIFICATIONS OF NYLON CABLE CLAMPS



- Manufactured with Nylon 6-6
- Ease of cable position fixing
- Natural color only

Product Number	Color	Mounting Hole Stud Size	Width	Max. Bundle	Wall Thickness	Mounting Hole Center
			W	MB	T	HC
NC36	Natural	#8	0.375"	0.188"	0.046"	0.430"
NC14	Natural			0.250"		0.410"
NC56	Natural			0.313"	0.495"	
NC38	Natural			0.375"	0.050"	0.595"
NC12	Natural	0.500"	0.780"			
NC34	Natural	0.500"		0.750"		
NC1	Natural		1.000"	0.910"		

** All dimensions in inches*



SKN Products, LLC

DISCLAIMER

IMPORTANT NOTES FOR PURCHASERS AND USERS

Before using this product, user should determine the suitability of the product for its intended use.

SKN expressly disclaims the implied warranties and conditions of merchantability and fitness for a particular purpose. In no case shall SKN be liable under any legal theory, including but not limited to contract or strict liability, for any direct, indirect, special, incidental, or consequential damages resulting from product use.

All SKN products are made in China except Installation Tools and Accessories.



DISCLAIMER

WARRANTY; LIMITED REMEDY; LIMITED LIABILITY

This product will be free from defects in material and manufacture as the date of purchase. SKN makes no other warranties including, but not limited to, any implied warranty of merchantability or fitness for a particular purpose. If this product is defective within the warranty period stated above, your exclusive remedy shall be, at SKN's option, to replace or repair or refund the purchase price of SKN product. Except where prohibited by Law, SKN will not be liable for any loss or damage arising from SKN product, whether direct, indirect, special, incidental or consequential regardless of the legal theory asserted.



SKN PRODUCTS, LLC

**4909 Rondo Drive, Fort Worth
Texas 76106, USA**

Telephone: 1-817-403-5835

Fax: 1-817-624-3721

Email: sales@sknproductsllc.com

www.sknproductsllc.com