



*INDUSTRIAL PRODUCTS – WE WHOLESALe, YOU DISTRIBUTE*

## **STEP DOWN BUTT CONNECTORS**

**NON-INSULATED STEP DOWN BUTT CONNECTORS**

**VINYL INSULATED STEP DOWN BUTT CONNECTORS**

**HEAT SHRINK INSULATED STEP DOWN BUTT  
CONNECTORS**

4909 Rondo Drive, Fort Worth, Texas 76106, USA

Telephone: 1-817-403-5835

Fax: 1-817-624-3721

Email: [sales@sknproductsllc.com](mailto:sales@sknproductsllc.com)

[www.sknproducts.com](http://www.sknproducts.com)

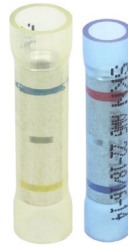
[www.sknproductsllc.com](http://www.sknproductsllc.com)

**CATALOG 2025**

## SELECTION GUIDE OF SKN STEP DOWN BUTT CONNECTORS



**Non-insulated  
Step Down Butt Connectors**



**Vinyl Insulated  
Step Down Butt Connectors**



**Heat Shrink Insulated  
Step Down Butt Connectors**

## SELECTION GUIDE OF STEP DOWN BUTT CONNECTORS

### Product Numbers of SKN Non-insulated Step Down Butt Connectors (Seamless Tube, Tin Plated)

Product Number	Wire Range (AWG)	Maximum Temperature
<b>B7AB</b>	<b>16-14 / 22-18</b>	221°F (105°C)
<b>B7BC</b>	<b>12-10 / 16-14</b>	

### Product Numbers of SKN Vinyl Insulated Step Down Butt Connectors

Product Number	Insulation Color	Wire Range (AWG)	Maximum Temperature
<b>B4AB</b>	<b>Red</b>	<b>16-14 / 22-18</b>	221°F (105°C)
<b>B4BC</b>	<b>Blue</b>	<b>12-10 / 16-14</b>	

### Product Numbers of SKN Heat Shrink Insulated Step Down Butt Connectors

Product Number	Insulation Color	Wire Range (AWG)	Maximum Temperature
<b>B8ABHS</b>	<b>Red</b>	<b>16-14 / 22-18</b>	221°F (105°C)
<b>B8BCHS</b>	<b>Blue</b>	<b>12-10 / 16-14</b>	

## **FEATURES OF NON-INSULATED STEP DOWN BUTT CONNECTORS**

- Designed for secure and reliable connection of 2 wires with different sizes
- Electro tin plated
- Manufactured from electrolytic copper seamless tube
- Ease of wire insertion with chamfered barrel
- Wire stop for wire positioning built on the middle of the butt connectors
- Wire range indicated by industry standard color coding
- Maximum temperature 221°F (105°C)
- Maximum voltage 600V

**For Copper Wire only**

## **FEATURES OF VINYL INSULATED STEP DOWN BUTT CONNECTORS**

- Designed for secure and reliable connection of 2 wires with different sizes
- Polyvinyl insulated
- Manufactured from electrolytic copper seamless tube
- Electro tin plated for copper parts
- Ease of wire insertion with beveled mouth entry and flared barrel mouth
- Wire stop for wire positioning built on the middle of the butt connectors
- Wire range indicated by industry standard color coding
- Maximum temperature 221°F (105°C)
- Maximum voltage 600V

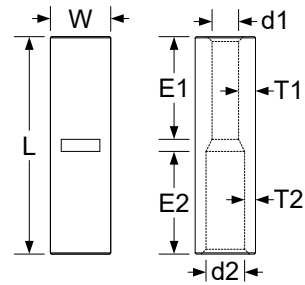
**For Copper Wire only**

## **FEATURES OF HEAT SHRINK INSULATED STEP DOWN BUTT CONNECTORS**

- **Designed for secure and reliable connection of 2 wires with different wire gauge**
- **Translucent dual wall polyolefin shrinkable tubing with meltable liner insulated**
- **Manufactured from electrolytic copper seamless tube**
- **Electro tin plated for copper parts**
- **Ease of wire insertion with chamfered barrel**
- **Wire stop for wire positioning built on the middle of the butt connectors**
- **Wire range indicated by industry standard color coding**
- **Shrink ratio 3:1**
- **Maximum temperature 221°F (105°C)**
- **Shrinking temperature 482°F (250°C) to 752°F (400°C)**
- **Maximum voltage 600V**

**For Copper Wire only**

## SPECIFICATIONS OF NON-INSULATED STEP DOWN BUTT CONNECTORS



- All Non-insulated Butt Connectors are seamless.
- Wire stop for wire positioning is built on the middle of each butt connector.
- Maximum temperature is 221°F (105°C).
- Maximum voltage is 600V.

Product Number	Wire Range (AWG)		Max. Temp	Width	Length	Barrel I.D.		Copper Thickness		Strip Length	
	d1	d2		W	L	d1	d2	T1	T2	E1	E2
B7AB	22-18	16-14	221°F (105°C)	0.157"	0.728"	0.067"	0.098"	0.043"	0.030"	0.354"	0.354"
B7BC	16-14	12-10		0.217"	0.827"	0.098"	0.138"	0.059"	0.039"	0.394"	0.394"

\* All dimensions in inches

NON-INSULATED STEP DOWN BUTT CONNECTORS

RECOMMENDED TOOLS

**RECOMMENDED TOOLS FOR  
NON-INSULATED STEP DOWN BUTT CONNECTORS**



**Non-insulated  
Terminal Crimper**  
Product Number: 300-055



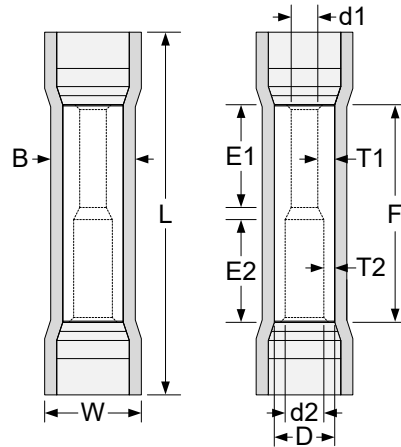
**Round Cable Cutter**  
Product Number: 200-046



**Wire Stripping Tool**  
Product Number: 200-003

<b>RECOMMENDED TOOLS FOR NON-INSULATED STEP DOWN BUTT CONNECTORS</b>			
	<b>Crimp Tool</b>	<b>Wire Cutter</b>	<b>Wire Stripper</b>
<b>ALL NON-INSULATED STEP DOWN BUTT CONNECTORS</b>	<b>300-055</b>	<b>200-046</b>	<b>200-003</b>

## SPECIFICATIONS OF VINYL INSULATED STEP DOWN BUTT CONNECTORS



- Copper parts inserted in all Vinyl Insulated Butt Connectors are tin plated.
- Wire stop for wire positioning is built on the middle of each butt connector.
- Maximum temperature is 221°F (105°C).
- Maximum voltage is 300V.

Product Number	Color	Wire Range (AWG)		Max. Temp	Width		Length		Tube Dia.	Barrel I.D.		Copper Thickness		Strip Length	
		d1	d2		W	B	L	F		D	d1	d2	T1	T2	E1
B4AB	Blue	22-18	16-14	221°F (105°C)	0.197"	0.224"	1.181"	0.728"	0.157"	0.067"	0.098"	0.043"	0.030"	0.354"	0.354"
B4BC	Yellow	16-14	12-10		0.256"	0.276"	1.260"	0.827"	0.217"	0.098"	0.138"	0.059"	0.039"	0.394"	0.394"

\* All dimensions in inches

**RECOMMENDED TOOLS FOR  
VINYL INSULATED STEP DOWN BUTT CONNECTOR**



**Eclipse Luner Series Ratcheted Crimper**  
Product Number: 300-141



**Eclipse Round Cable Cutter**  
Product Number: 200-046

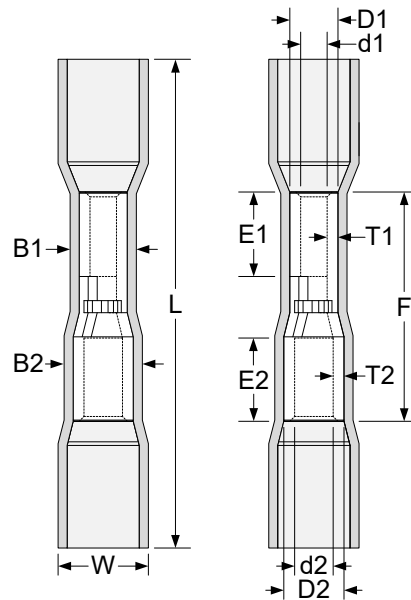


**Eclipse Wire Stripping Tool**  
Product Number: 200-003

<b>RECOMMENDED TOOLS FOR VINYL INSULATED STEP DOWN BUTT CONNECTORS</b>			
<b>ALL VINYL INSULATED STEP DOWN BUTT CONNECTORS</b>	<b>Crimp Tool</b>	<b>Wire Cutter</b>	<b>Wire Stripper</b>
	<b>300-141</b>	<b>200-046</b>	<b>200-003</b>



## SPECIFICATIONS OF HEAT SHRINK INSULATED STEP DOWN BUTT CONNECTORS



- All copper parts inserted in all Heat Shrink Insulated Butt Connectors are tin plated.
- Wire stop for wire positioning is built on the middle of each butt connector.
- Shrink ratio is 3:1.
- Shrink temperature is 482°F (250°C) to 752°F (400°C).
- Maximum temperature is 221°F (105°C).
- Maximum voltage is 600V.

Product Number	Color	Wire Range (AWG)	Max. Temp	Width			Length		Tube Diameter		Barrel I.D.		Copper Thickness		Strip Length
		d1/d2		W	B1	B2	L	F	D1	D2	d1	d2	T1	T2	E1 & E2
B8ABHS	Blue	22-18 16-14	221°F (105°C)	0.228"	0.209"	0.224"	1.535"	0.748"	0.134"	0.157"	0.067"	0.098"	0.035"	0.030"	0.295"
B8BCHS	Yellow	16-14 12-10		0.268"	0.252"	0.280"	1.831"	0.827"	0.177"	0.217"	0.091"	0.142"	0.039"	0.037"	0.307"

\* All dimensions in inches

**RECOMMENDED TOOLS FOR  
HEAT SHRINK INSULATED STEP DOWN BUTT CONNECTORS**



**Heat Shrink Terminals Ratcheted Crimper**  
Product Number: RCHS03C8



**Round Cable Cutter**  
Product Number: 200-046



**Wire Stripping Tool**  
Product Number: 200-003



**Steinel Heat Gun**  
Product Number: SV-803

<b>RECOMMENDED TOOLS FOR HEAT SHRINK INSULATED STEP DOWN BUTT CONNECTORS</b>				
<b>ALL HEAT SHRINK INSULATED STEP DOWN BUTT CONNECTORS</b>	<b>Crimp Tool</b>	<b>Wire Cutter</b>	<b>Wire Stripper</b>	<b>Heat Gun</b>
	<b>RCHS03C8</b>	<b>200-046</b>	<b>200-003</b>	<b>SV-803</b>



## IMPORTANT NOTES FOR PURCHASERS AND USERS

### **IMPORTANT NOTES FOR PURCHASERS AND USERS**

**Before using this product, user should determine the suitability of the product for its intended use.**

**SKN expressly disclaims the implied warranties and conditions of merchantability and fitness for a particular purpose. In no case shall SKN be liable under any legal theory, including but not limited to contract or strict liability, for any direct, indirect, special, incidental, or consequential damages resulting from product use.**

**Made in China**



WARRANTY; LIMITED REMEDY; LIMITED LIABILITY

## **WARRANTY; LIMITED REMEDY; LIMITED LIABILITY**

**This product will be free from defects in material and manufacture as the date of purchase. SKN makes no other warranties including, but not limited to, any implied warranty of merchantability or fitness for a particular purpose. If this product is defective within the warranty period stated above, your exclusive remedy shall be, at SKN's option, to replace or repair or refund the purchase price of SKN product. Except where prohibited by Law, SKN will not be liable for any loss or damage arising from SKN product, whether direct, indirect, special, incidental or consequential regardless of the legal theory asserted.**